

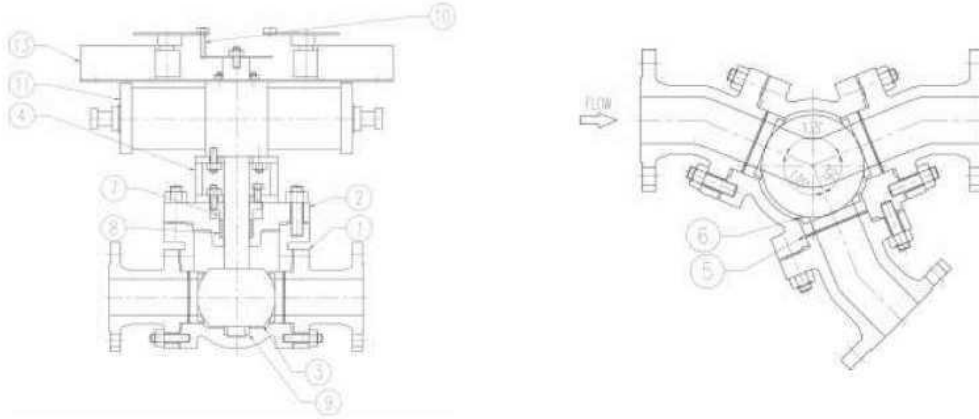
The Best Creativity & Quality Valves

# 3-WAY BALL VALVE



3-WAY VALVE

## 3-WAY Valve



### REFERENCE STANDARD

- **FLANGE DIMENSIONS** : ANSI B16.5
- **PRESSURE RATING** : 150LB, 300LB

No	DESCRIPTION	HAND WHEEL TYPE	SYLINDER TYPE
01	*BODY	A351-CF8	A351-CF8
02	*COVER	A351-CF8	A351-CF8
03	*BALL	A351-CF8	A351-CF8
04	YOKE	A240-304	A240-304
05	SPRING	304SS	304SS
06	SEATRING	PTFE	PTFE
07	PACKING GLAND	304SS	304SS
08	PACKING	PTFE	PTFE
09	BUSH		
10	INDICATOR	304SS	304SS
11	*INNER RING	A240-304	A240-304
12	CYLINDER		
13	LIMIT SWICH		

\*Trim Material to be applied as customer's requisition with various option.

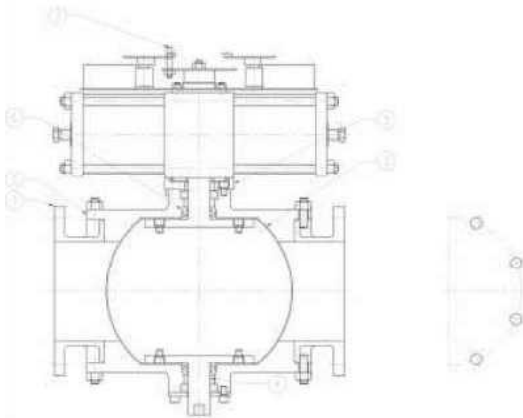
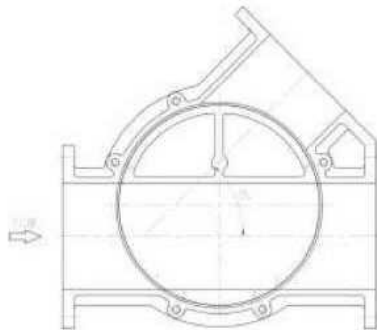
The Best Creativity & Quality Valves

# DIVERTER VALVE



FULL BORE BALL TYPE  
FULL BORE PLUG TYPE  
DIVERTER VALVE

# FULL BORE BALL TYPE



## REFERENCE STANDARD & OTHER INFORMATION

- **BASIC DESIGN** : Manufacturer's standard
- **FACE TO FACE DIMENSIONS** : Manufacturer's standard
- **FLANGE B,C,D DIMENSIONS** : ANSI B 16.5
- **MATERIAL** : Aluminum
- **PRESSURE RATING** : 150LB
- **ANGLE** : 22.5°, 30°, 45°, 60°, 90°, etc

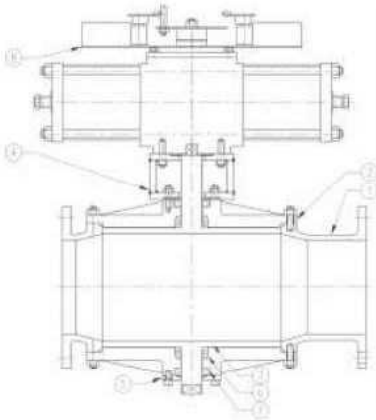
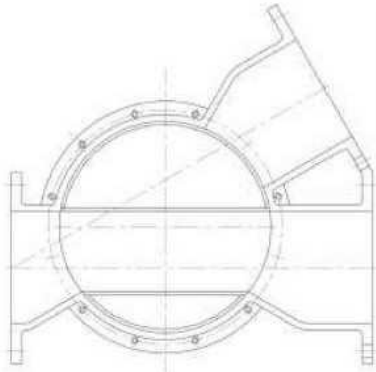
## FEATURE

- The weight of entire valve is minimized by adoption of aluminum material, except trim part.
- Adoption of "Full bore type(rotation angle : 135°)" gives an edge over "Reduced type" providing more efficient opening ratio.
- Installed indicator provides immediate confirmation of flow direction.
- The products with special angle not listed herein are also available upon request.
- Uniform mechanism of sealing minimizes possible leakage.

NO	DESCRIPTION	MATERIAL
1	BODY	ASTM B23-356 OR CF8,CF8M,CF3M
2	COVER	ASTM B23-356 OR CF8,CF8M,CF3M
3	BALL	A351-CF8, CF8M, CF3, CF3M or B26-356
4	SHAFT	304SS
5	CAP	304SS
6	BUSH	BRASS
7	INDICATOR	304SS

ACCESSORY PART	
ACTUATOR	AS PER PROJECT REQUIREMENT
TERMINAL BOX	AS PER PROJECT REQUIREMENT
LIMIT SWITCH	AS PER PROJECT REQUIREMENT
SPEED CONTROLLER	AS PER PROJECT REQUIREMENT
SILIENCER	AS PER PROJECT REQUIREMENT
SOLENOID VALVE	AS PER PROJECT REQUIREMENT
AIR SET	AS PER PROJECT REQUIREMENT
CYLINDER	AS PER PROJECT REQUIREMENT

## FULL BORE SQUARE PLUG TYPE



### REFERENCE STANDARD & OTHER INFORMATION

- **BASIC DESIGN** : Manufacturer's standard
- **FACE TO FACE DIMENSIONS** : Manufacturer's standard
- **FLANGE B,C,D DIMENSIONS** : ANSI B 16.5
- **MATERIAL** : Aluminum
- **PRESSURE RATING** : 150LB
- **ANGLE** : 22.5°, 30°, 45°, 60°, 90°, etc

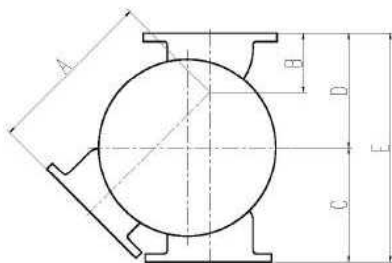
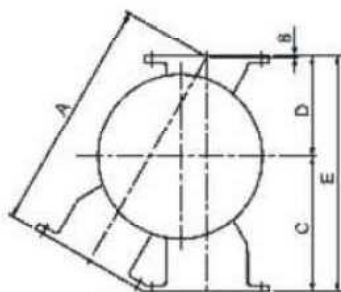
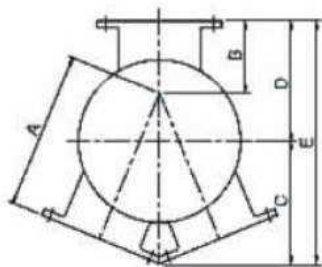
### FEATURE

- The weight of entire valve is minimized by adoption of aluminum material, except trim part.
- Adoption of "Full bore type(rotation angle : 135°)" gives an edge over "Reduced type" providing more efficient opening ratio.
- Installed indicator provides immediate confirmation of flow direction.
- The products with special angle not listed herein are also available upon request.

NO	DESCRIPTION	MATERIAL	ACCESSORY PART	
1	BODY	ASTM B23-356 OR CF8,CF8M,CF3M	ACTUATOR	AS PER PROJECT REQUIREMENT
2	COVER	ASTM B23-356 OR CF8,CF8M,CF3M	TERMINAL BOX	AS PER PROJECT REQUIREMENT
3	PLUG	304SS	LIMIT SWITCH	AS PER PROJECT REQUIREMENT
4	YOKE	304SS	SPEED CONTROLLER	AS PER PROJECT REQUIREMENT
5	CAP	304SS	SILENCER	AS PER PROJECT REQUIREMENT
6	BUSH	BRASS	SOLENOID VALVE	AS PER PROJECT REQUIREMENT
7	BEARING	-	AIR SET	AS PER PROJECT REQUIREMENT
8	PLATE	304SS	CYLINDER	AS PER PROJECT REQUIREMENT

# DIVERTER VALVE

Table belows are commonly applied to plug, ball and blade type. Each table shows dimension at the point of each angle as indicated.



## DIMENSIONS DATA

VALVE SIZE	22.5°×2 GENERAL DIMENSION(MM)				
	A	B	C	D	E
2"	203.0	66.4	151.7	132.7	284.4
3"	253.8	69.2	173.5	168.8	342.3
4"	299.0	121.7	226.8	217.0	443.8
6"	353.0	122.0	262.0	242.0	504.0
8"	432.0	148.0	313.5	301.7	615.2
10"	512.6	167.4	368.0	354.2	722.2
12"	617.0	109.2	394.0	380.6	774.6

VALVE SIZE	30° GENERAL DIMENSION(MM)				
	A	B	C	D	E
2"	303.5	113.9	208.7	208.7	417.4
3"	356.0	86.0	251.0	191.0	442.0
4"	432.0	51.0	267.0	216.0	483.0
6"	523.5	9.5	292.0	241.0	533.0
8"	645.0	3.0	343.0	305.0	648.0
10"	760.0	97.0	425.0	432.0	857.0
12"	906.0	27.0	527.0	406.0	933.0

VALVE SIZE	45° GENERAL DIMENSION(MM)				
	A	B	C	D	E
2"	203.0	196.9	141.7	141.7	283.4
3"	253.9	80.0	178.8	187.8	375.7
4"	291.4	191.6	211.5	271.5	483.0
6"	354.0	126.0	240.0	240.0	480.0
8"	431.6	216.4	310.9	337.1	648.0
10"	512.4	247.6	380.0	380.0	760.0
12"	614.3	112.9	405.3	363.6	727.2

- **FLANGE DIMENSION DATA** : Reference Standard ANSI B16.5
- **REFERENCE PRESSURE** : 150LB