

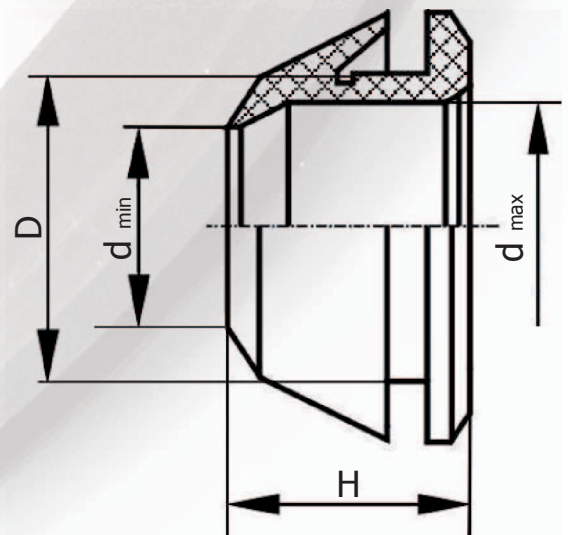
Manufacturing of rubber gland ("in situ")

We produce the high-quality rubber glands which apply to sealing and protection of pipes passing through wall of manhole. Applied in telecommunications and energy nets, in water-meter's well made on PE.



Dimensions (Type):

No	Type	For: pipe outer diameter [mm]	D [mm]	d _{min} [mm]	d _{max} [mm]	H [mm]
1.	Ø32	32	39	25	32,5	22,5
2.	Ø40	40	49,5	35	41	21,7
3.	DN 40	50	59	36	52	25
4.	DN 50	63	71	48	64	25
5.	DN 75	75	85	54	74	32
6.	DN 80	90	104	65	90	28
7.	DN 100	110	125	85	110	31
8.	DN 150	160	176	115	163	29
9.	DN 200	200	214	170	202	32
10.	DN 250	250	264	223	250	32
11.	DN 315	315	334	282	316,5	32,4



Material:

SBR, NBR, EPDM

Example:

Pipe outer diameter = 32 mm; D = 39 mm; d_{min} = 25 mm; d_{max} = 32,5 mm;
H = 22,5 mm; h = 4mm; rubber SBR

Rubber gland Ø32 (SBR)

Attention:

At customer's request we can produce rubber glands in others dimensions and also on others rubber blend.

Drawing inquiries are welcome