

## OIL-Less Diaphragm **VACUUM Pumps**

### ■ Features ;

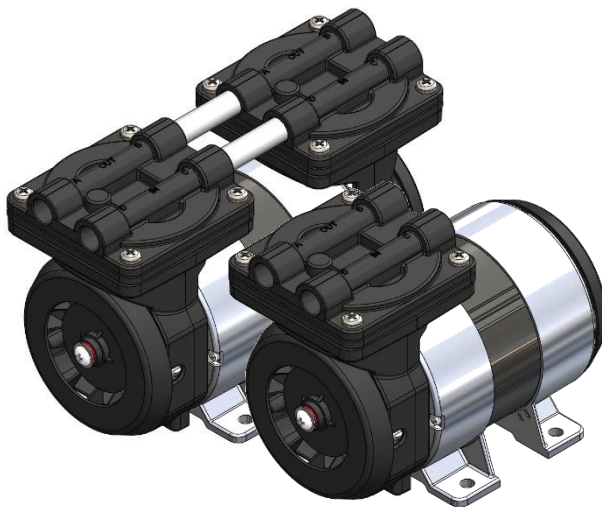
- ◆ Oil-less operation & permanently lubricated bearings
- ◆ Equipped with thermal protector
- ◆ Light Weight and High Strength Material PPS
- ◆ Completely oil-free & Light weight
- ◆ Low noise & vibration, leak tight
- ◆ **Distinguished long life & easy to maintain**
- ◆ Silicone, EPDM and FKM valves are available
- ◆ **Both AC & BLDC version available as Standard option**

### ■ Applications ;

- ◆ Developed for **Autoclave ( Type Class B )**  
**( EPDM Applied for Autoclave especially )**
- ◆ Medical, Dental & E.N.T. Equipments
- ◆ Semi Conductor processing , Chip mounter
- ◆ Packing machine, Food processing
- ◆ Environmental equipments
- ◆ Industrial equipments

### ■ Appearance

#### ■ AC version

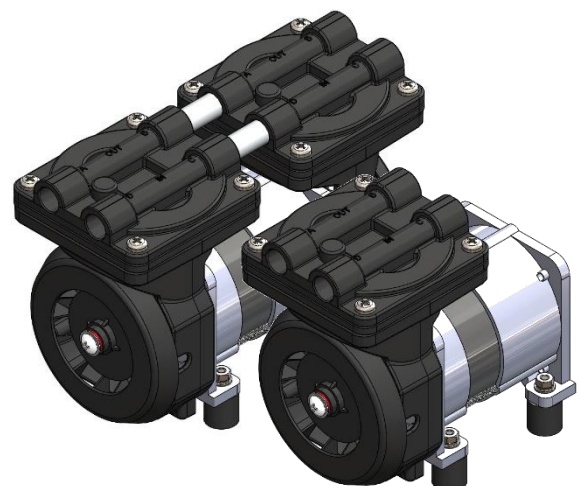


■ Double Head Type  
(Model : 20DND)

■ Single Head Type  
(Model : 20DNS)

■ Double Head Type (Model : 20DND)  
Serial Connection for Higher Vacuum (20DND-S)  
Parallel Connection for more Flow Rate (20DND-P)

#### ■ BLDC version



■ Double Head Type  
(Model : 20DND)

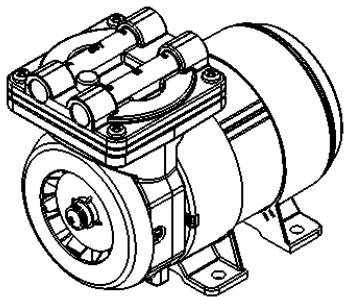
■ Single Head Type  
(Model : 20DNS)

## OIL-Less Diaphragm **VACUUM Pumps**

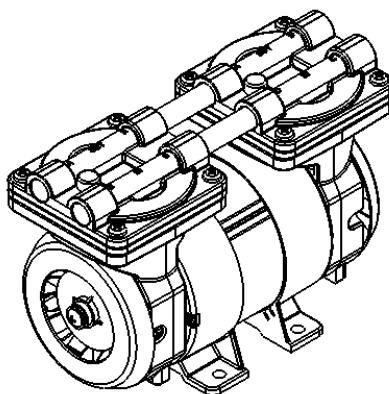
### ■ SPECIFICATIONS ( AC version )

MODEL	20DNS (Single Head)	20DND-P (Double Head)	20DND-S (Double Head)
		Parallel Connection	Serial Connection
Free Flow Rate	18Lpm(50Hz), 21Lpm (60Hz)	28Lpm (50Hz), 33Lpm (60Hz)	21Lpm (50Hz), 25Lpm (60Hz)
Max. Vacuum	630 mmHg	640 mmHg	720 mmHg
Max. Pressure	N.A.	N.A.	N.A.
Connecting Type	PT 1/4" ( R1/4" )		
Dimensions	93(W) x 128(H) x 158(L)mm	93(W) x 128(H) x 191(L)mm	
Weight	2.2 kg	2.6 kg	
Motor Type	4 pole, Capacitor Start Type, Equipped with Thermal Protector		
Power Consump.	64W (50HZ), 68W (60Hz)	80W (50HZ), 88W (60Hz)	
Rated Current	0.4A (230V, 50Hz) 0.3A (220V, 60Hz)	0.39A (230V, 50Hz), 0.4A (220V, 60Hz)	
Power Source	110~120 VAC (50/60 Hz), 220~230 VAC (50/60 Hz)		

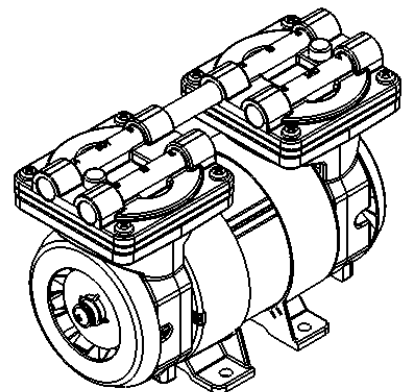
### ■ Appearance ( AC version )



[20DNS](#)



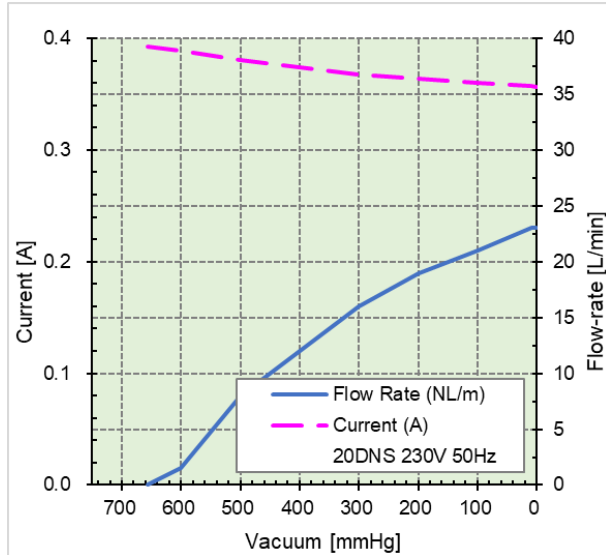
[20DND-P](#)



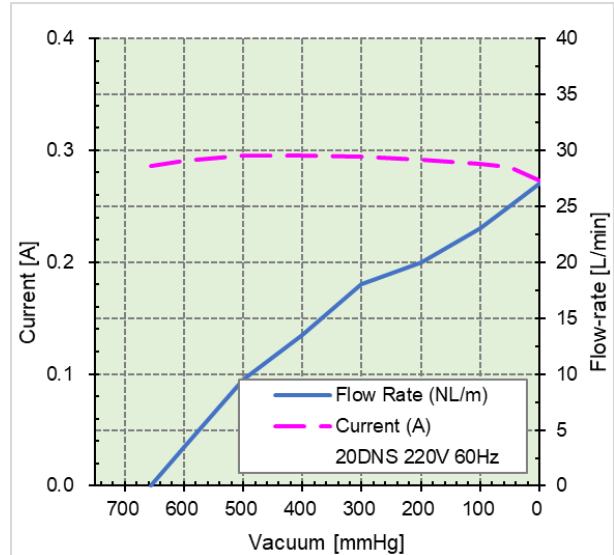
[20DND-S](#)

## OIL-Less Diaphragm VACUUM Pumps

### ■ Performance Curves of 20DNS (Single Head , AC version )



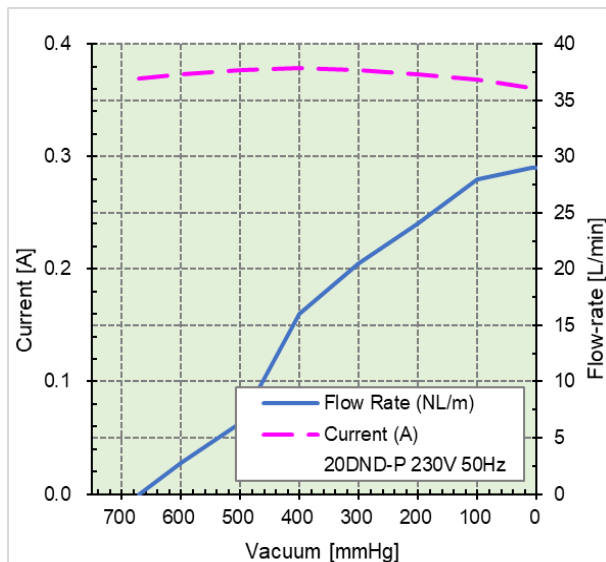
**20DNS**  
**(230V/50Hz)**



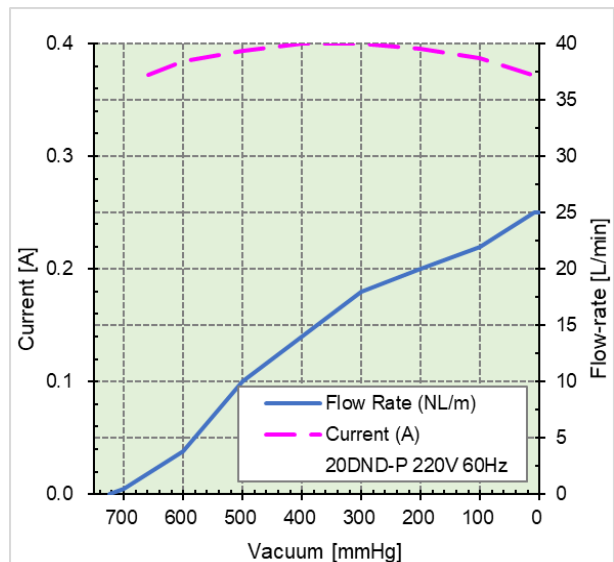
**20DNS**  
**(220V/60Hz)**

### ■ Performance Curves of 20DND (Double Head , AC version )

#### - 20DND-P ( Parallel Connection )



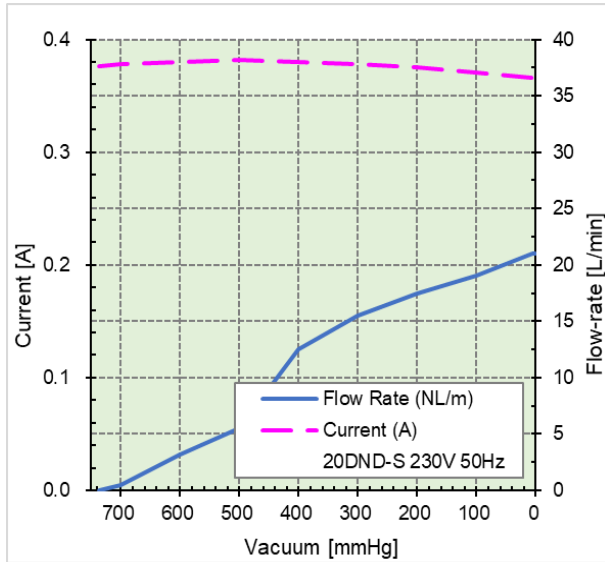
**20DND-P**  
**(230V/50Hz)**



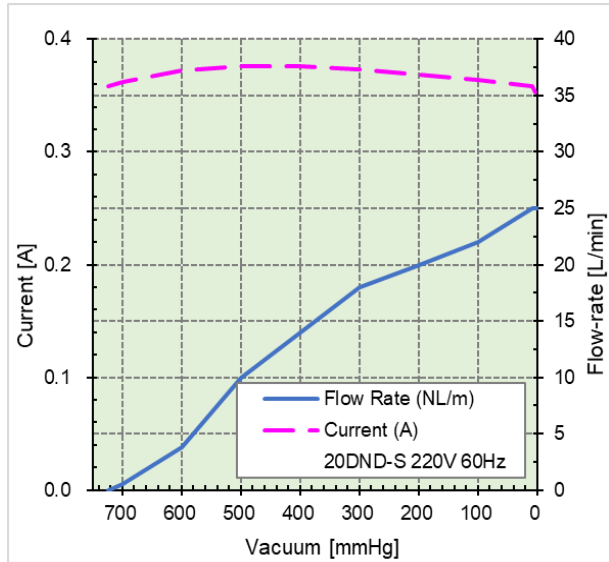
**20DND-P**  
**(220V/60Hz)**

## OIL-Less Diaphragm VACUUM Pumps

### - 20DND-S ( Serial Connection )



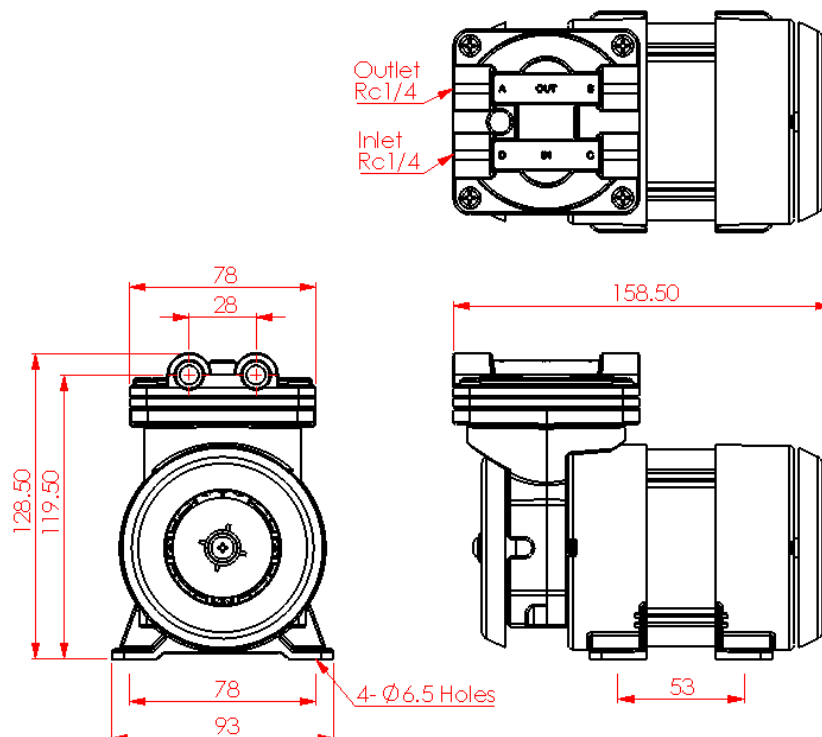
**20DND-S**  
**(230V/50Hz)**



**20DND-S**  
**(220V/60Hz)**

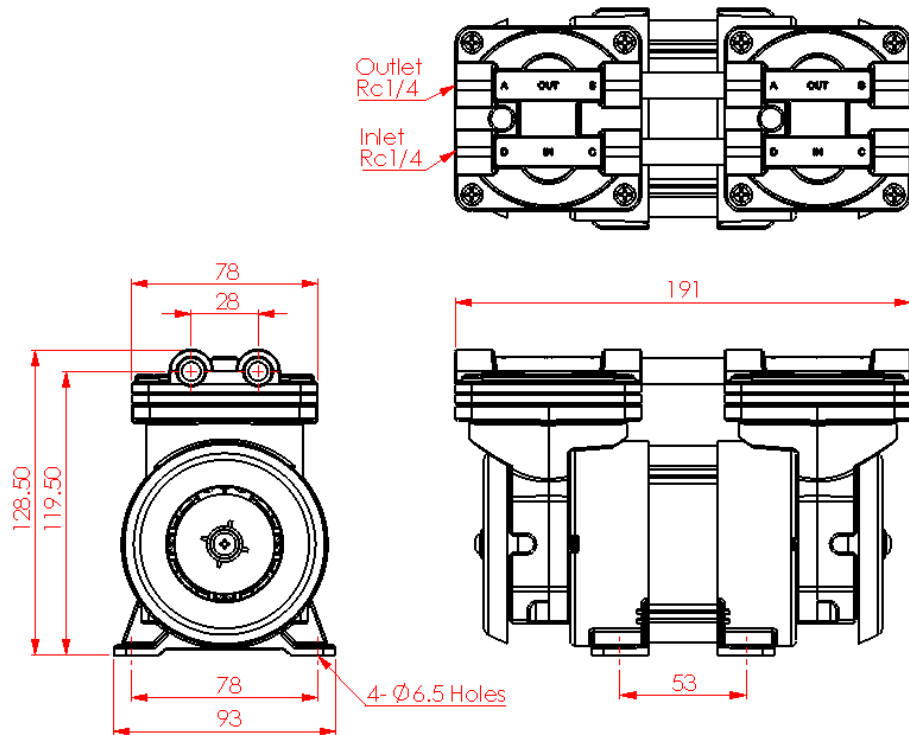
### ■ Drawing ( AC version )

Model : [20DNS](#)

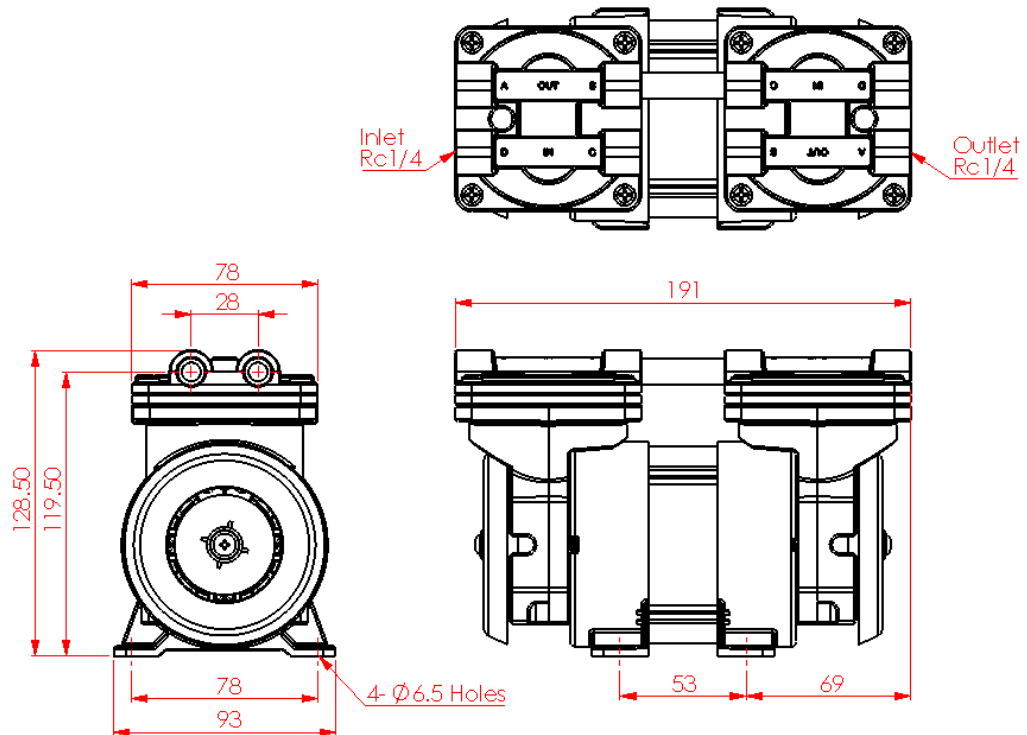


## OIL-Less Diaphragm VACUUM Pumps

### Model : 20DND-P



### Model : 20DND-S

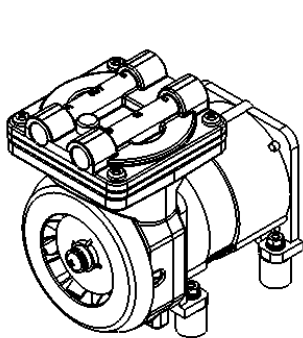


## OIL-Less Diaphragm **VACUUM Pumps**

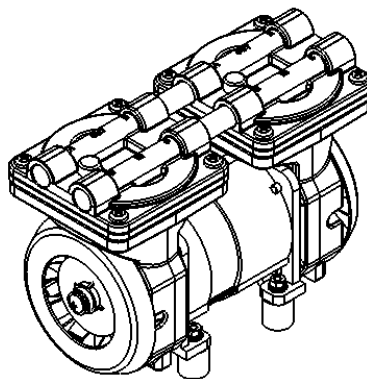
### ■ SPECIFICATIONS ( **BLDC version** )

MODEL	20DNS Series (Single Head type )		20DND Series (Double Head type )	
	20DNS-BL1 (12VDC)	20DNS-BL2 (24VDC)	20DND-P-BL2 (24VDC)	20DND-S-BL2 (24VDC)
Free Flow Rate	25 Lpm	25 Lpm	38 Lpm	25 Lpm
Max. Vacuum	630 mmHg	630 mmHg	640 mmHg	720 mmHg
Max. Pressure	N.A.			
Connecting Type	PT 1/4" ( R1/4" )			
Dimensions	84(W) x 130(H) x 128 (L)mm		84(W) x 130(H) x 176 (L)mm	
Weight	1.2 Kg		1.5 Kg	
Motor Type	BLDC (Brush-less DC) Motor, Internal Driver Type			
Power Consump.	27 W	20 W	39 W	34 W
Rated Current	2.2 A	0.8 A	1.6 A	1.4 A
Power Source	12VDC	24VDC		

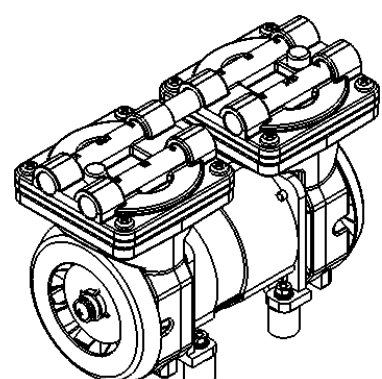
### ■ Appearance ( **BLDC version** )



**20DNS-BL1, 20DNS-BL2**  
**(12, 24VDC)**



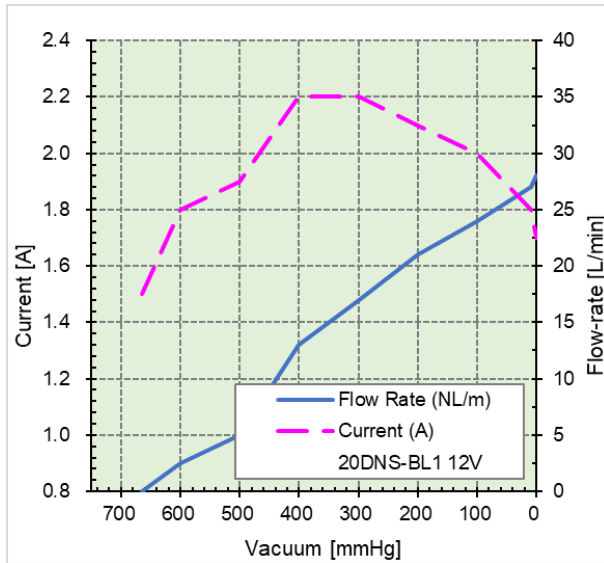
**20DND-P-BL2**  
**(24VDC)**



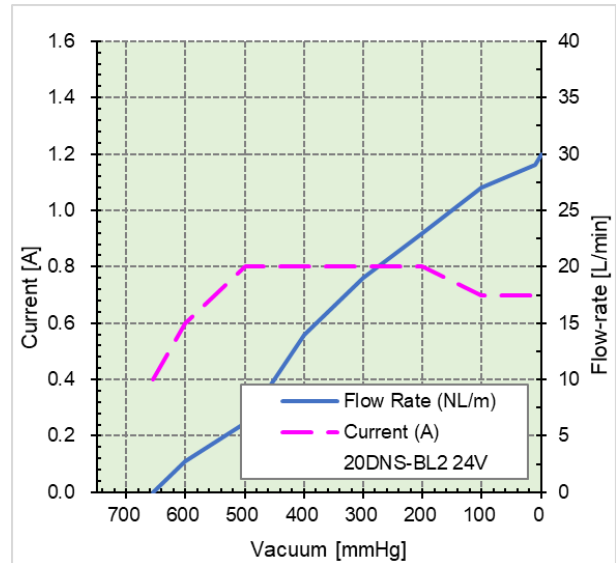
**20DND-S-BL2**  
**(24VDC)**

## OIL-Less Diaphragm VACUUM Pumps

### ■ Performance Curves of 20DNS (Single Head, **BLDC version**)

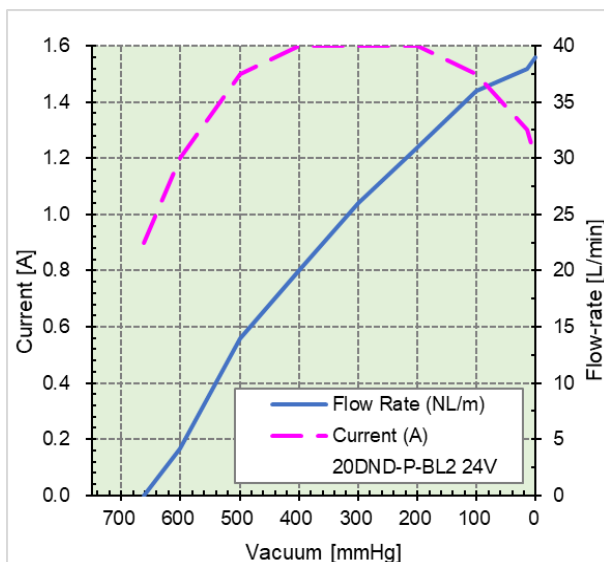


**20DNS-BL1**  
**(12VDC)**

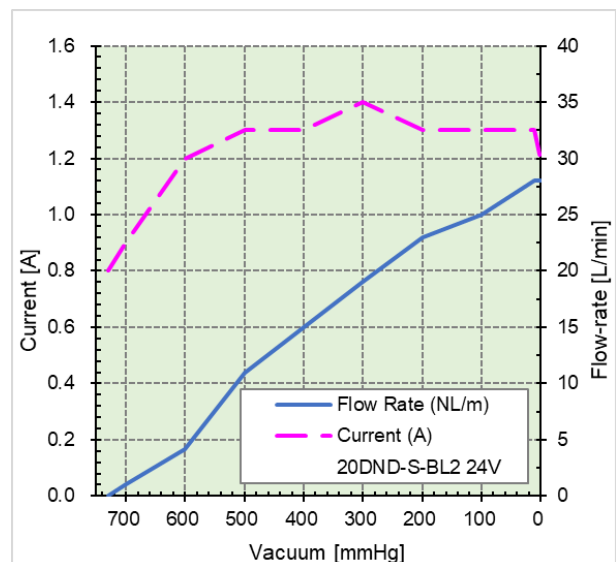


**20DNS-BL2**  
**(24VDC)**

### ■ Performance Curves of 20DND (Double Head, **BLDC version**)



**20DND-P-BL2**  
**Parallel Connection**  
**(24VDC)**

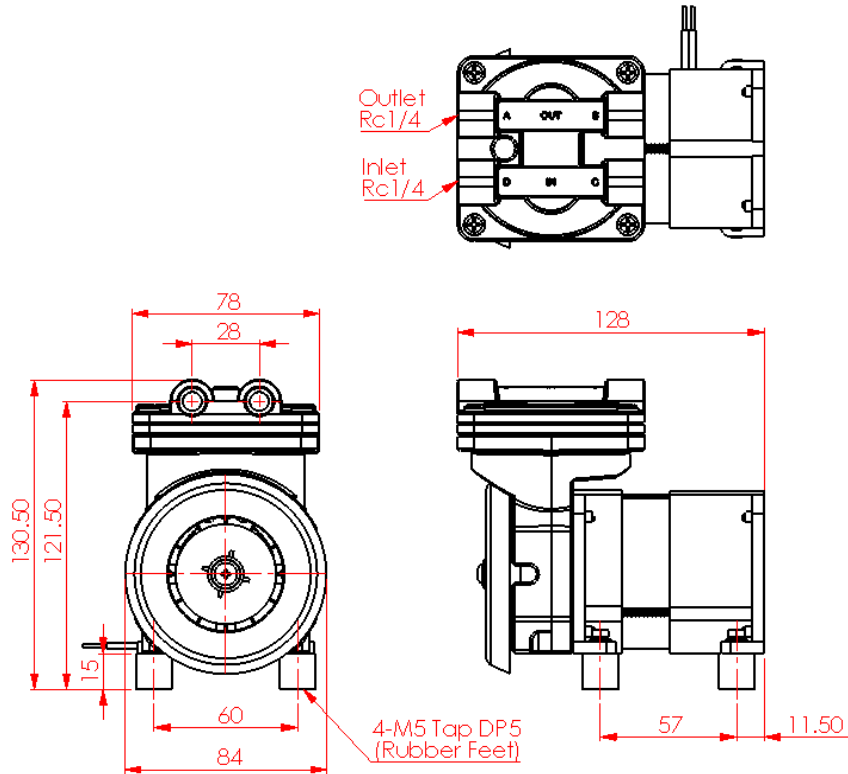


**20DND-S-BL2**  
**Serial Connection**  
**(24VDC)**

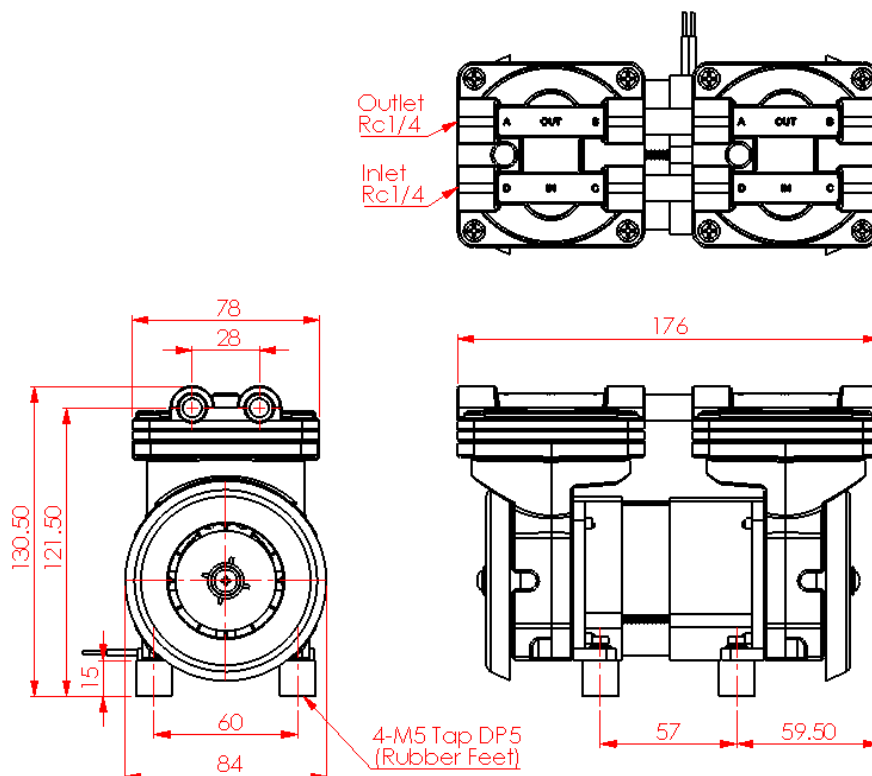
## OIL-Less Diaphragm VACUUM Pumps

### ■ Drawing ( **BLDC version** )

**Model : 20DNS-BL1 & 20DNS-BL2**



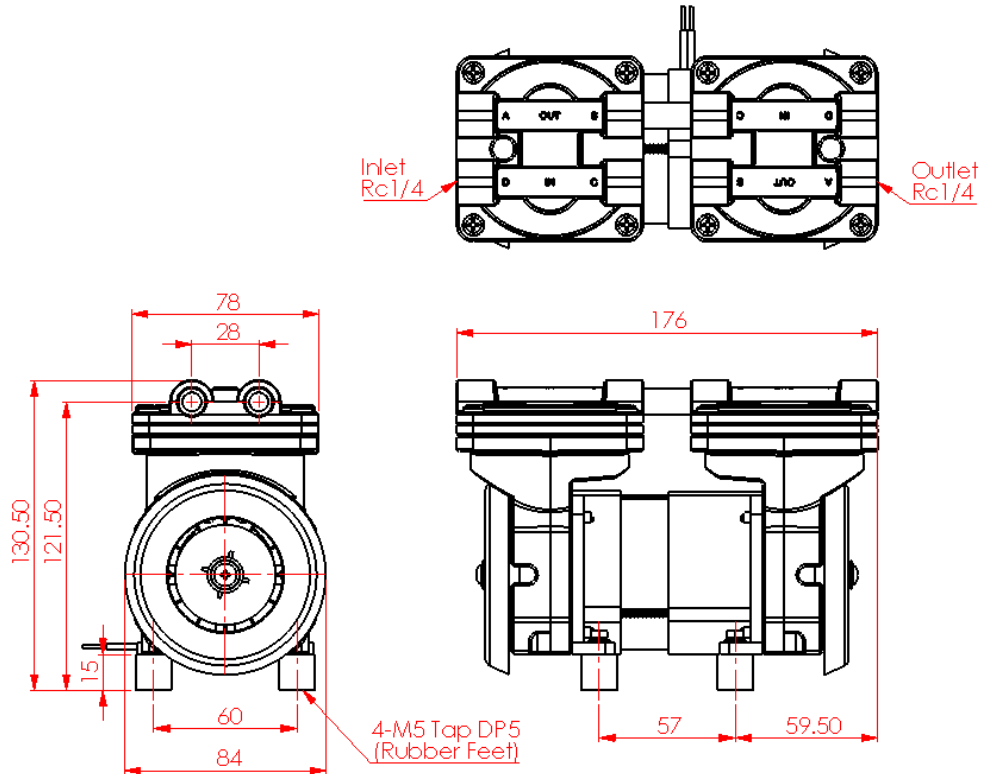
**Model : 20DND-P-BL2**





## OIL-Less Diaphragm VACUUM Pumps

**Model : 20DND-S-BL2**



### NOTICE

THE INFORMATION CONTAINED IN THIS DOCUMENT IS SUBJECT TO CHANGE WITHOUT NOTICE.



**G&M Tech Inc.**  
**(주)지엔엠텍**

TEL : +82-31-459-8221, FAX : +82-31-459-8611

Home Page : <http://www.gnmtechinc.com>

E-MAIL : [info@gnmtechinc.com](mailto:info@gnmtechinc.com)

Rm #. 404, Daewoo FV #1030, Jung-Dong, Giheung-Gu,  
Yongin-City, 17015, Korea (South)