

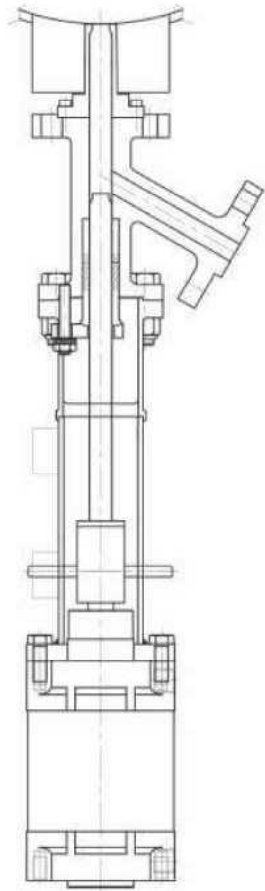
The Best Creativity & Quality Valves

RAM PISTON VALVE

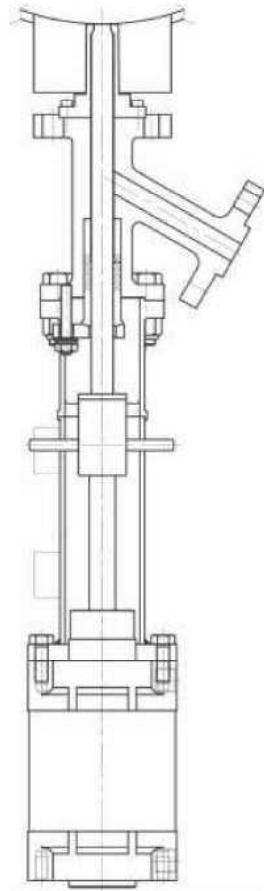


CASTING TYPE
WELDING RAM PISTON VALVE

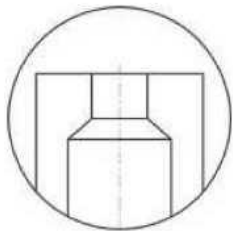
END CONNECTION DETAIL DRAWING



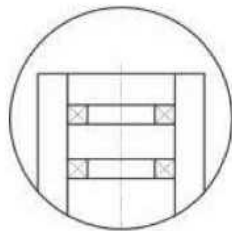
OPEN



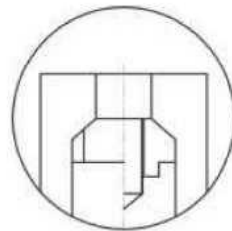
CLOSE



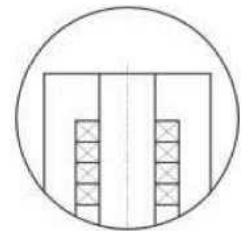
METAL TO METAL SEAL



METAL TO O-RING SEAL

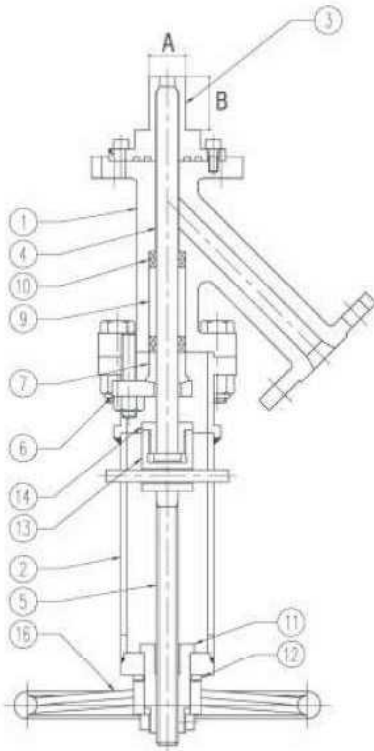


METAL TO PEEK(PTFE) SEAL



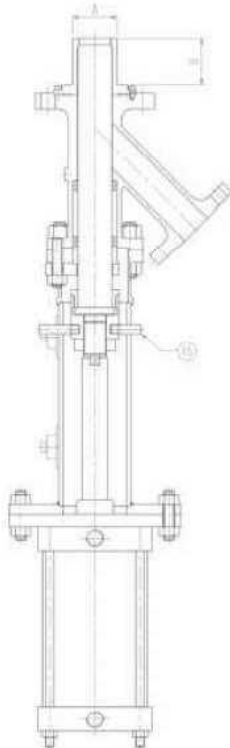
METAL TO PACKING SEAL

CASTING TYPE



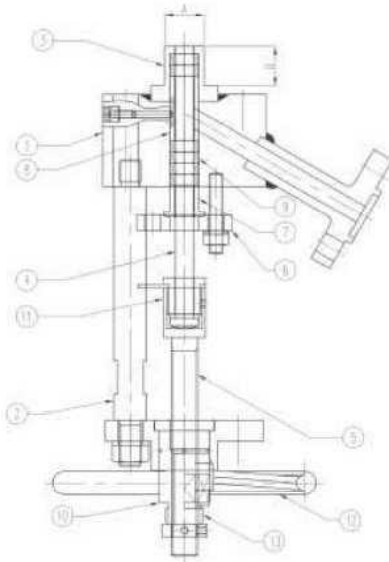
REFERENCE STANDARD

- **FLANGE DIMENSIONS** : ANSI B 16.5
- **PRESSURE RATING** : 150LB, 300LB, 600LB, 900LB, 1500LB
- **ANGLE** : 45°, 60°
- **A,B DIMENSION** : Varied by customer's requisition.



No	DESCRIPTION	MATERIAL	
		HAND WHEEL TYPE	CYLINDER TYPE
01	BODY	ASTM A351-CF8, CF8M, CF3M, ETC	
02	YOKE	304SS	
03	ADAPTER	304 / 316SS	
04	PISTON	304 / 316SS	
05	STEM	304SS	
06	GLAND FLANGE	304SS	
07	PACKING GLAND	304SS	
08	CAGE	304 / 316SS	
09	BUSH	304 / 316SS	
10	PACKING	P.T.F.E / GRAPHITE	
11	YOKE SLEEVE	BRASS	-
12	THRUST WASHER	BRASS	-
13	JOINT	-	304SS
14	PISTON GLAND	304 / 316 + CHROMEPLATEDWITH STELLITE	
15	INDICATOR	304SS	
16	HANDWHEEL	ASTM A536	-

WELDING RAM PISTON VALVE



Reference standard & other information

- **FLANGE DIMENSIONS** : ANSIB 16.5
- **PRESSURE RATING** : 150LB, 300LB, 600LB, 900LB, 1500LB
- **ANGLE** : 45°, 60°
- **A,B DIMENSION** : Varied by customer's requisition.

No	DESCRIPTION	MATERIAL	
		HAND WHEEL TYPE	CYLINDER TYPE
01	BODY	ASTM A351-CF8, CF8M, CF3M, ETC	
02	YOKE	304SS	
03	ADAPTER	304SS OR 316SS WITH STELLITE	
04	PISTON	304 / 316 + CHROMEPLATED WITH STELLITE	
05	STEM	304SS	
06	GLAND FLANGE	304SS	
07	PACKING GLAND	304SS	
08	CAGE	304SS	
09	PACKING	P.T.F.E / GRAPHITE (VARIED BY DESIGN FACTORS)	
10	YOKE SLEEVE	BRASS	
11	PISTON GLAND	304SS OR 316SS	
12	HANDWHEEL	ASTM A536	
13	HANDWHEEL NUT	ASTM A194-8	