

# *Custom-fit solutions for additive and subtractive manufacturing*



*3D printing + post-processing*

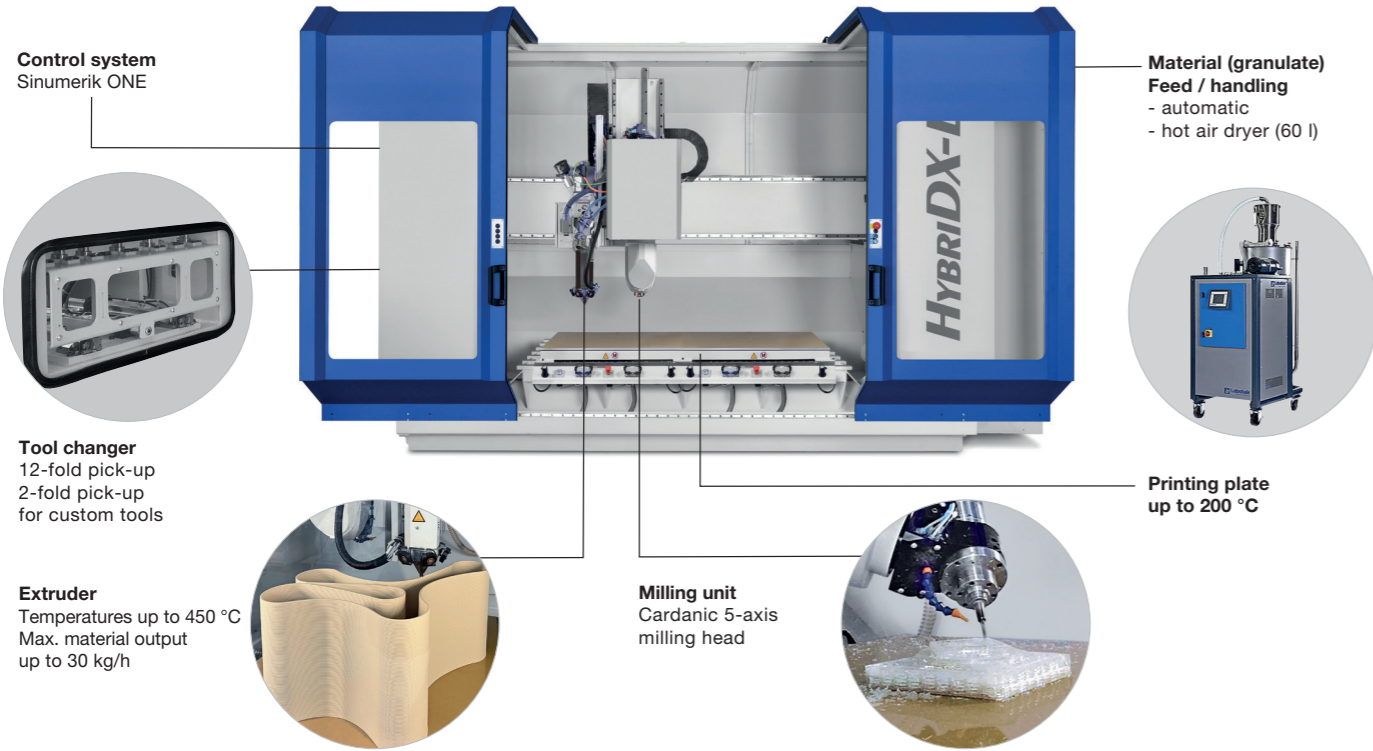
**HAMUEL**  
**REICHENBACHER**  
Members of the SCHERDELGroup

# HybriDX machine series

Reichenbacher Hamuel does not only offer the large-format and open L-PBF printers of the AMS series, but also scalable, function-oriented solutions for the complete production of components in a machining centre. The partnership with Weber Additive on the HybriDX machine series, where large-scale additive manufacturing and 5-axis milling take place in one manufacturing cell, renders this possible.

HybriDX is the solution for highly innovative production settings, which simultaneously increases your return on investment.

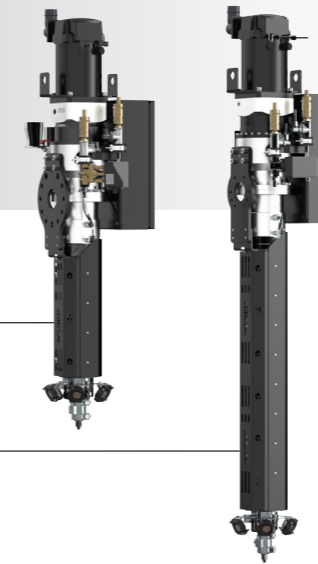
## The best of both worlds



## Printing

8 kg/h  
Output rate

30 kg/h  
Output rate



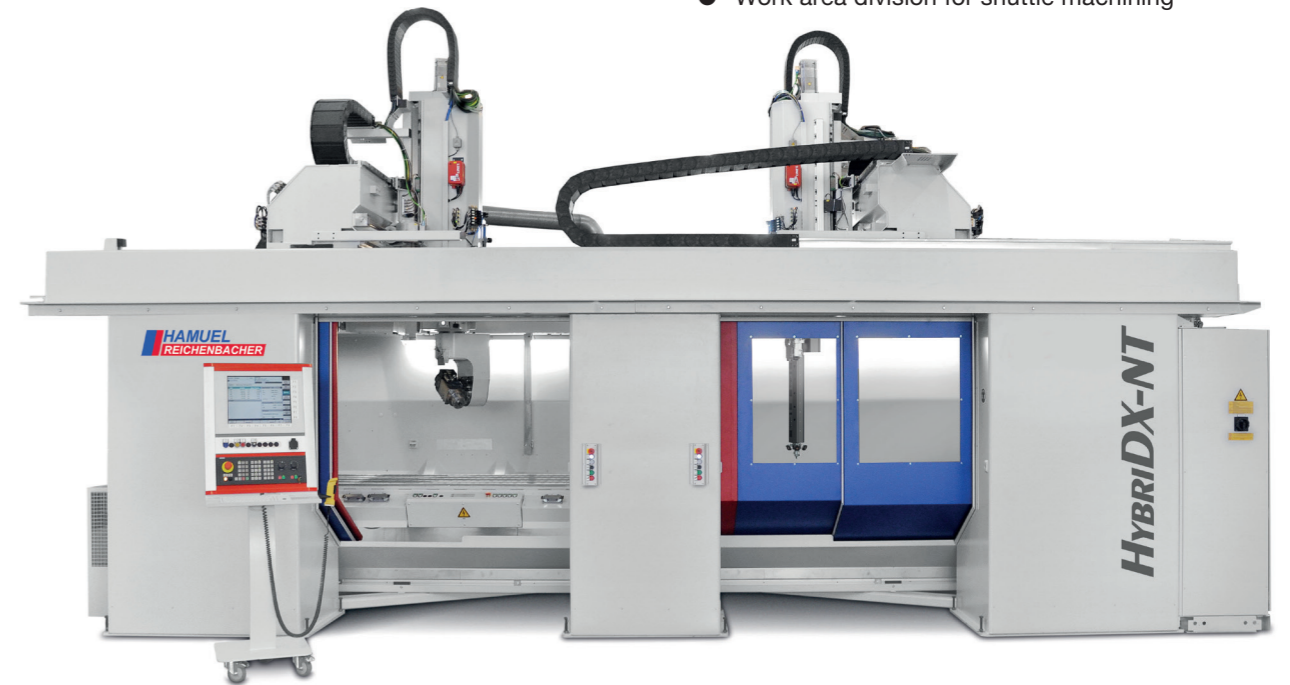
### The AE series extruder

- High-temperature capability (up to 450 °C)
- Wear-protected barrel and screw, even for fibre-filled, abrasive or corrosive materials
- Replaceable nozzle
- Temperature-controlled filling zone with water cooling system

## Milling

### The ECO-NT system

- Multi-purpose – for example for special profiles, formed parts and panels
- Machining of components made of plastic, aluminium, GRP and hybrid parts made of plastic and metal
- Work area division for shuttle machining



## PRINTING

## HYBRID

## MILLING

- Freedom of design
- Faster prototyping
- Complex components

- **Flexible manufacturing**
- **Shorter lead times**
- **Lower investment costs**
- **Less material waste**

- Smooth, defined surfaces
- Production accuracy
- Short machining times



Maritime



Aerospace



Automotive

### Materials

- Technical polymers: PETG, ABS, PA, ASA, PC
- Fibre reinforcement: glass, carbon, natural fibres up to 50 %

### Selected areas of application

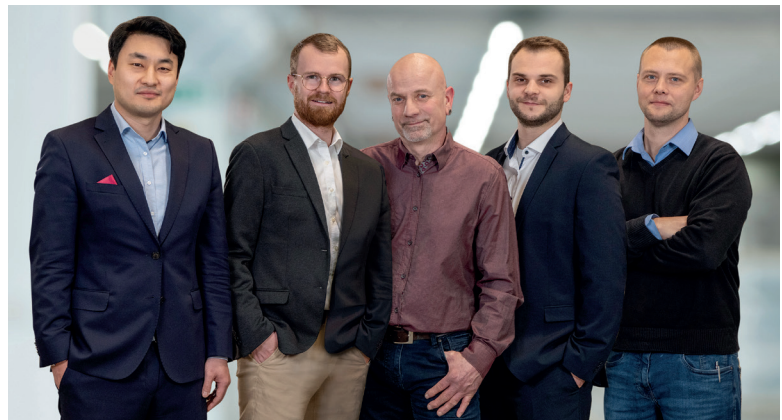
- Prototyping
- Tool and mould making
- Small batch production of large components
- Architecture, design, art, scenery construction
- Moulds and covers
- Autoclave tools

# Technical data

	HybriDX-LT	HybriDX-NT	HybriDX-X
<b>PRINTING</b>			
Building volume	1,700 x 900 x 600 mm	2,500 x 1,010 x 600 mm	customer-specific
Extruder	up to 30 kg/h	up to 30 kg/h	customer-specific
Printing table heating	up to 200 °C	up to 200 °C	customer-specific
Integration dryer	60 l	60 l	customer-specific
Integration filter system	Odours, vapours and gases	Odours, vapours and gases	customer-specific
<b>MILLING</b>			
Building volume	1,885 x 900 x 600 mm	2,500 x 1,010 x 600 mm	customer-specific
Milling unit	up to 15 kW	up to 15 kW	customer-specific
Tool changer	12 + 2 places	4 - 24 places	customer-specific
Vacuum table	Vacuum clamps Pneumatic clamps Special clamping devices	Vacuum clamps Pneumatic clamps Special clamping devices	customer-specific
Integration filter system	Fine particles, dusts (CF in particular)	Fine particles, dusts (CF in particular)	customer-specific

## We are here for you

Additive Manufacturing Team



**Contact us:**

**Dr. Alexander Kawalla-Nam**

Head of Additive Manufacturing Technology  
[alexander.kawalla-nam@reichenbacher.de](mailto:alexander.kawalla-nam@reichenbacher.de)



**Reichenbacher Hamuel GmbH**

Rosenauer Str. 32 · D-96487 Dörfles-Esbach  
 Phone: +49 9561-599-0 · [info@reichenbacher.de](mailto:info@reichenbacher.de)  
[www.reichenbacher.de](http://www.reichenbacher.de)