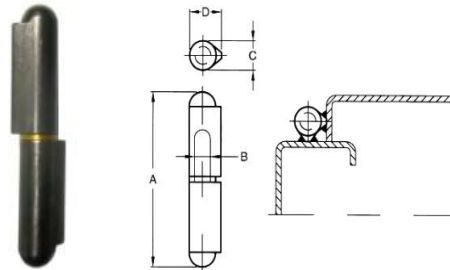


Tower Industry

YOUR MANUFACTURING BASE IN CHINA

Steel Weld-on Hinge

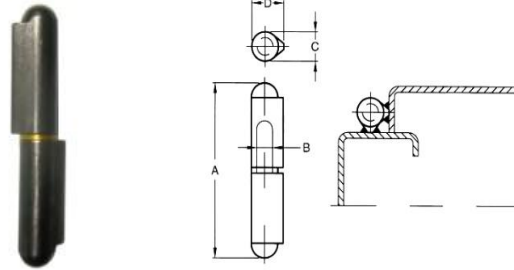


Model	Material	mm A		mm B		mm C		mm D		mm E	
		mm	in.	mm	in.	mm	in.	mm	in.	mm	in.
SP40	Steel Pin with Brass Washer	40	1.574	5	0.196	8	0.314	10	0.394	1.5	0.059
SP50	Steel Pin with Brass Washer	50	1.968	5	0.196	8	0.314	10	0.394	1.5	0.059
SP60	Steel Pin with Brass Washer	60	2.362	6	0.236	10	0.394	11.9	0.467	2	0.078
SP70	Steel Pin with Brass Washer	70	2.755	6	0.236	11.5	0.452	13.2	0.52	2	0.078
SP80	Steel Pin with Brass Washer	80	3.149	8	0.314	13	0.511	15.5	0.61	2	0.078
SP100	Steel Pin with Brass Washer	100	3.937	10	0.394	16	0.629	19.6	0.772	2.5	0.098
SP120	Steel Pin with Brass Washer	120	4.724	10	0.394	16	0.629	19.6	0.722	2.5	0.098
SP150	Steel Pin with Brass Washer	150	5.905	13	0.511	20	0.787	25.4	1.00	3	0.118
SP180	Steel Pin with Brass Washer	180	7.086	13	0.511	20	0.787	25.4	1.00	3	0.118
SP200	Steel Pin with Brass Washer	200	7.874	16	0.629	23	0.905	28.5	1.122	4	0.157

Tower Industry

YOUR MANUFACTURING BASE IN CHINA

Steel Weld-on Hinge

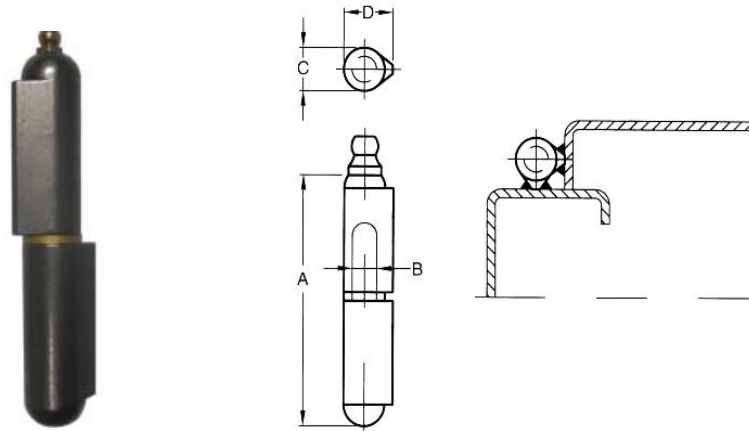


SBP40	Brass Pin with Brass Washer	40	1.574	5	0.196	8	0.314	10	0.394	1.5	0.059
SBP50	Brass Pin with Brass Washer	50	1.968	5	0.196	8	0.314	10	0.394	1.5	0.059
SBP60	Brass Pin with Brass Washer	60	2.362	6	0.236	10	0.394	11.9	0.467	2	0.078
SBP70	Brass Pin with Brass Washer	70	2.755	6	0.236	11.5	0.452	13.2	0.52	2	0.078
SBP80	Brass Pin with Brass Washer	80	3.149	8	0.314	13	0.511	15.5	0.61	2	0.078
SBP100	Brass Pin with Brass Washer	100	3.937	10	0.394	16	0.629	19.6	0.772	2.5	0.098
SBP120	Brass Pin with Brass Washer	120	4.724	10	0.394	16	0.629	19.6	0.722	2.5	0.098
SBP150	Brass Pin with Brass Washer	150	5.905	13	0.511	20	0.787	25.4	1.00	3	0.118
SBP180	Brass Pin with Brass Washer	180	7.086	13	0.511	20	0.787	25.4	1.00	3	0.118
SBP200	Brass Pin with Brass Washer	200	7.874	16	0.629	23	0.905	28.5	1.122	4	0.157

Tower Industry

YOUR MANUFACTURING BASE IN CHINA

Steel Weld-on Hinge With Grease Fitting

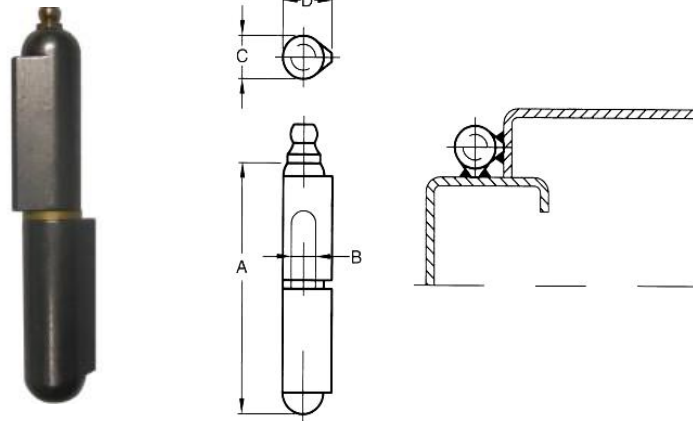


Model	Material	mm A		mm B		mm C		mm D		mm E	
		mm	in.	mm	in.	mm	in.	mm	in.	mm	in.
SP60-G	Steel Pin with Brass Washer	60	2.362	6	0.236	10	0.394	11.9	0.467	2	0.078
SP70-G	Steel Pin with Brass Washer	70	2.755	6	0.236	11.5	0.452	13.2	0.52	2	0.078
SP80-G	Steel Pin with Brass Washer	80	3.149	8	0.314	13	0.511	15.5	0.61	2	0.078
SP100-G	Steel Pin with Brass Washer	100	3.937	10	0.394	16	0.629	19.6	0.772	2.5	0.098
SP120-G	Steel Pin with Brass Washer	120	4.724	10	0.394	16	0.629	19.6	0.722	2.5	0.098
SP150-G	Steel Pin with Brass Washer	150	5.905	13	0.511	20	0.787	25.4	1.00	3	0.118
SP180-G	Steel Pin with Brass Washer	180	7.086	13	0.511	20	0.787	25.4	1.00	3	0.118
SP200-G	Steel Pin with Brass Washer	200	7.874	16	0.629	23	0.905	28.5	1.122	4	0.157

Tower Industry

YOUR MANUFACTURING BASE IN CHINA

Steel Weld-on Hinge With Grease Fitting

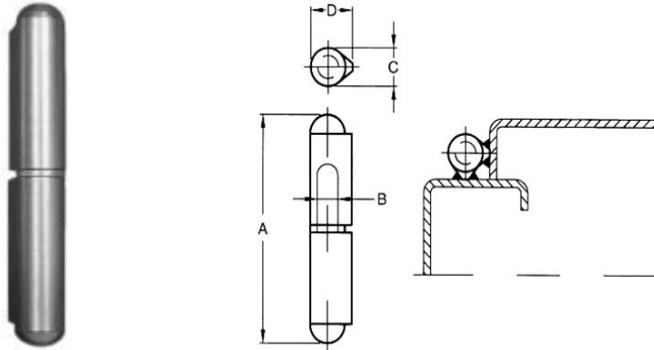


SBP60-G	Brass Pin with Brass Washer	60	2.362	6	0.236	10	0.394	11.9	0.467	2	0.078
SBP70-G	Brass Pin with Brass Washer	70	2.755	6	0.236	11.5	0.452	13.2	0.52	2	0.078
SBP80-G	Brass Pin with Brass Washer	80	3.149	8	0.314	13	0.511	15.5	0.61	2	0.078
SBP100-G	Brass Pin with Brass Washer	100	3.937	10	0.394	16	0.629	19.6	0.772	2.5	0.098
SBP120-G	Brass Pin with Brass Washer	120	4.724	10	0.394	16	0.629	19.6	0.722	2.5	0.098
SBP150-G	Brass Pin with Brass Washer	150	5.905	13	0.511	20	0.787	25.4	1.00	3	0.118
SBP180-G	Brass Pin with Brass Washer	180	7.086	13	0.511	20	0.787	25.4	1.00	3	0.118
SBP200-G	Brass Pin with Brass Washer	200	7.874	16	0.629	23	0.905	28.5	1.122	4	0.157

Tower Industry

YOUR MANUFACTURING BASE IN CHINA

Stainless Steel Weld-on Hinge

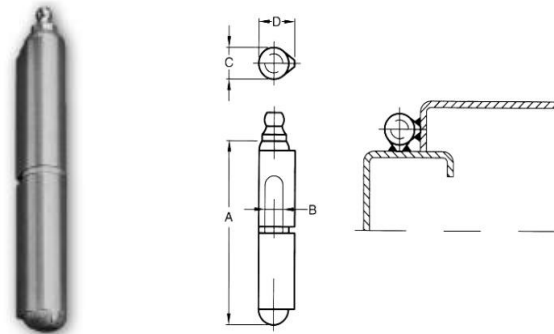


Model	Material	mm A		mm B		mm C		mm D		mm E	
		mm	in.	mm	in.	mm	in.	mm	in.	mm	in.
SSP40	Stainless Steel Pin with Stainless Steel Washer	40	1.574	5	0.196	8	0.314	10	0.394	1.5	0.059
SSP50	Stainless Steel Pin with Stainless Steel Washer	50	1.968	5	0.196	8	0.314	10	0.394	1.5	0.059
SSP60	Stainless Steel Pin with Stainless Steel Washer	60	2.362	6	0.236	10	0.394	11.9	0.467	2	0.078
SSP80	Stainless Steel Pin with Stainless Steel Washer	80	3.149	8	0.314	13	0.511	15.5	0.61	2	0.078
SSP100	Stainless Steel Pin with Stainless Steel Washer	100	3.937	10	0.394	16	0.629	19.6	0.772	2.5	0.098
SSP120	Stainless Steel Pin with Stainless Steel Washer	120	4.724	10	0.394	16	0.629	19.6	0.722	2.5	0.098
SSP150	Stainless Steel Pin with Stainless Steel Washer	150	5.905	13	0.511	20	0.787	25.4	1.00	3	0.118
SSP180	Stainless Steel Pin with Stainless Steel Washer	180	7.086	13	0.511	20	0.787	25.4	1.00	3	0.118
SSP200	Stainless Steel Pin with Stainless Steel Washer	200	7.874	16	0.629	23	0.905	28.5	1.122	4	0.157

Tower Industry

YOUR MANUFACTURING BASE IN CHINA

Stainless Steel Weld-on Hinge with Grease Fitting

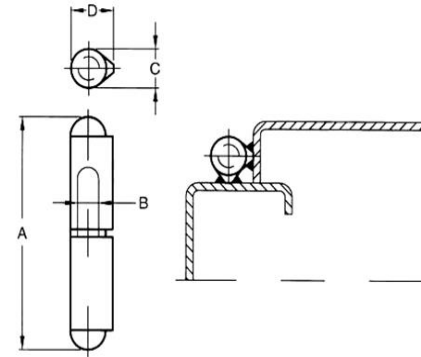


Model	Material	mm A in.		mm B in.		mm C in.		mm D in.		mm E in.	
SSP40-G	Stainless Steel Pin with Stainless Steel Washer	40	1.574	5	0.196	8	0.314	10	0.394	1.5	0.059
SSP50-G	Stainless Steel Pin with Stainless Steel Washer	50	1.968	5	0.196	8	0.314	10	0.394	1.5	0.059
SSP60-G	Stainless Steel Pin with Stainless Steel Washer	60	2.362	6	0.236	10	0.394	11.9	0.467	2	0.078
SSP80-G	Stainless Steel Pin with Stainless Steel Washer	80	3.149	8	0.314	13	0.511	15.5	0.61	2	0.078
SSP100-G	Stainless Steel Pin with Stainless Steel Washer	100	3.937	10	0.394	16	0.629	19.6	0.772	2.5	0.098
SSP120-G	Stainless Steel Pin with Stainless Steel Washer	120	4.724	10	0.394	16	0.629	19.6	0.722	2.5	0.098
SSP150-G	Stainless Steel Pin with Stainless Steel Washer	150	5.905	13	0.511	20	0.787	25.4	1.00	3	0.118
SSP180-G	Stainless Steel Pin with Stainless Steel Washer	180	7.086	13	0.511	20	0.787	25.4	1.00	3	0.118
SSP200-G	Stainless Steel Pin with Stainless Steel Washer	200	7.874	16	0.629	23	0.905	28.5	1.122	4	0.157

Tower Industry

YOUR MANUFACTURING BASE IN CHINA

Aluminum Weld-on Hinge

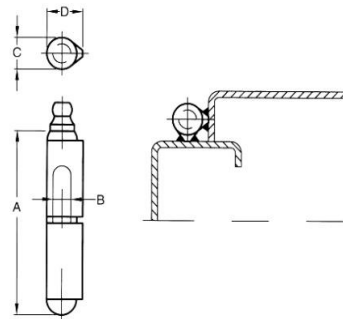


Model	Material	mm A		mm B		mm C		mm D		mm E	
		mm	in.	mm	in.	mm	in.	mm	in.	mm	in.
ASSP40	Aluminum Hinge W/Stainless Steel Washer & Pin	40	1.574	5	0.196	8	0.314	10	0.394	1.5	0.059
ASSP50	Aluminum Hinge W/Stainless Steel Washer & Pin	50	1.968	5	0.196	8	0.314	10	0.394	1.5	0.059
ASSP60	Aluminum Hinge W/Stainless Steel Washer & Pin	60	2.362	6	0.236	10	0.394	11.9	0.467	2	0.078
ASSP80	Aluminum Hinge W/Stainless Steel Washer & Pin	80	3.149	8	0.314	13	0.511	15.5	0.61	2	0.078
ASSP100	Aluminum Hinge W/Stainless Steel Washer & Pin	100	3.937	10	0.394	16	0.629	19.6	0.772	2.5	0.098
ASSP120	Aluminum Hinge W/Stainless Steel Washer & Pin	120	4.724	10	0.394	16	0.629	19.6	0.722	2.5	0.098
ASSP150	Aluminum Hinge W/Stainless Steel Washer & Pin	150	5.905	13	0.511	20	0.787	25.4	1.00	3	0.118
ASSP180	Aluminum Hinge W/Stainless Steel Washer & Pin	180	7.086	13	0.511	20	0.787	25.4	1.00	3	0.118
ASSP200	Aluminum Hinge W/Stainless Steel Washer & Pin	200	7.874	16	0.629	23	0.905	28.5	1.122	4	0.157

Tower Industry

YOUR MANUFACTURING BASE IN CHINA

Aluminum Weld-on Hinge with Grease Fitting



Model	Material	mm A		mm B		mm C		mm D		mm E	
		mm	in.	mm	in.	mm	in.	mm	in.	mm	in.
ASSP40-G	Aluminum Hinge W/Stainless Steel Washer & Pin	40	1.574	5	0.196	8	0.314	10	0.394	1.5	0.059
ASSP50-G	Aluminum Hinge W/Stainless Steel Washer & Pin	50	1.968	5	0.196	8	0.314	10	0.394	1.5	0.059
ASSP60-G	Aluminum Hinge W/Stainless Steel Washer & Pin	60	2.362	6	0.236	10	0.394	11.9	0.467	2	0.078
ASSP70-G	Aluminum Hinge W/Stainless Steel Washer & Pin	80	3.149	8	0.314	13	0.511	15.5	0.61	2	0.078
ASSP100-G	Aluminum Hinge W/Stainless Steel Washer & Pin	100	3.937	10	0.394	16	0.629	19.6	0.772	2.5	0.098
ASSP120-G	Aluminum Hinge W/Stainless Steel Washer & Pin	120	4.724	10	0.394	16	0.629	19.6	0.722	2.5	0.098
ASSP150-G	Aluminum Hinge W/Stainless Steel Washer & Pin	150	5.905	13	0.511	20	0.787	25.4	1.00	3	0.118
ASSP180-G	Aluminum Hinge W/Stainless Steel Washer & Pin	180	7.086	13	0.511	20	0.787	25.4	1.00	3	0.118
ASSP200-G	Aluminum Hinge W/Stainless Steel Washer & Pin	200	7.874	16	0.629	23	0.905	28.5	1.122	4	0.157