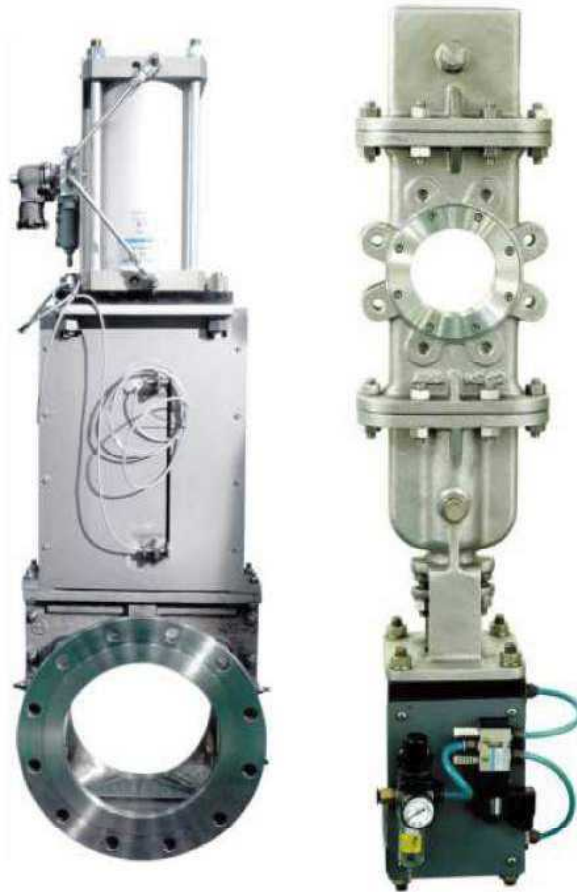


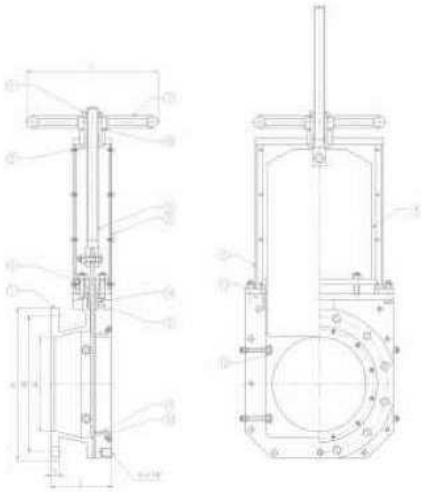
The Best Creativity & Quality Valves

SLIDE & BONNET TYPE LONG KNIFE GATE VALVE

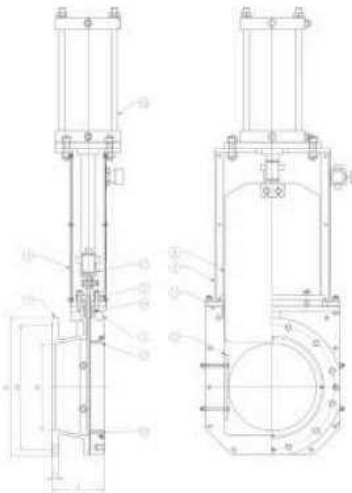


SLIDE GATE VALVE
LONG KNIFE GATE VALVE

SLIDE GATE VALVE



HAND WHEEL TYPE



CYLINDER TYPE

REFERENCE STANDARD

- **BOLT CIRCLE DIAMETER** : ANSIB 16.5
- **VALVE FACE TO FACE DIMENSION** : Manufacturer Standard
- **PRESSURE RATING** : 150LB

No	DESCRIPTION	MATERIAL	
		HAND WHEEL TYPE	CYLINDER TYPE
01	BODY	ASTM B26-356 OR CF8, CF8M, CF3M	
02	COVER	304 / 316	
03	YOKE/YOKE COVER	304SS	
04	BLADE	304SS	
05	GLAND FLANGE	304SS	
06	HAND WHEEL NUT	BRASS	-
07	HAND WHEEL	ASTM A536	-
08	YOKE SLEEVE	BRASS	-
09	STEM	304SS	
10	SEAT	P.T.F.E	
11	INSERT	304SS / 316SS	
12	GUIDE BAR	MC NYLON	
13	GASKET	P.T.F.E	
14	PACKING	MANUFACTURE STANDARD	
15	THRUST WASHER	BRASS	-
16	CYLINDER	-	MANUFACTURE STANDARD
17	KNUCKLE	-	304SS

VALVE SIZE	A	B	C	D	E	F	N-H
6"	150.0	241.3	279.4	16.0	99.0	300	8-7/8"
8"	203.0	298.5	342.9	20.0	160.0	350	8-7/8"
10"	250.0	362.0	406.4	20.0	160.0	400	12-1"
12"	300.0	431.8	482.4	20.0	180.0	450	12-1"
14"	336.0	478.3	533.4	22.0	180.0	550	12-1"