

2016 ÜRÜN KATALOĐU



 **KOCAELİ KAYA PANO**

www.kayapano.com



ABOUT US

Kocaeli Kaya Elektromekanik®, is established in Kocaeli- Turkey at 1961 for sales & marketing of industry's electrical equipment requirements. It distributed electrical materials to industrial entities through Kocaeli district and where quite major parts of national economy is produced and have an important role to add extra value for environmental economical life.

Consequence of increased market share, customer's trust and devilmnt activities, Kocaeli Kaya Elektromekanik® started to produce distribution boards, Motor Control Centers, capacitor banks, measuring panels, flush & surface type connection boxes and distribution panels with KAYA PANO® brand. Kocaeli Kaya Elektromekanik® also provides OEM panels & cubicles for industrial requirements.

We are proud that our quality principle which consists on to create high quality standards, using latest technology and following International Quality standards & systems have brought us the succeed to our projects.

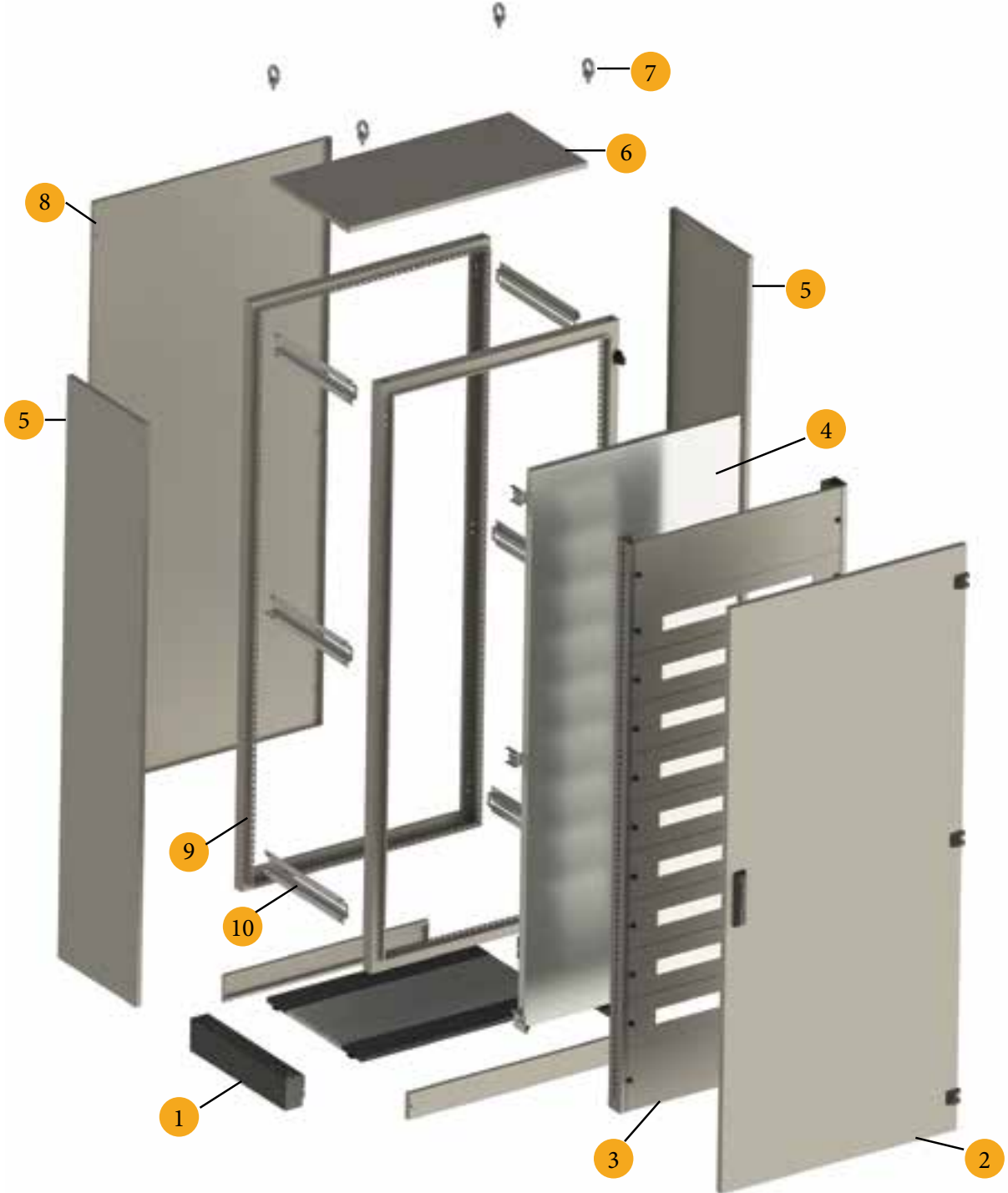
MANUFACTURING PLANT

We use CNC Punch machine equipped with special software. According to kind of using materials and specifications, all materials are professionally bend and shading to vide range of angle without defecting materials and structure by specially designed moulds. We are able to shading, cutting and bending steel sheets between 0,6 mm to 3 mm.

It is also available electrostatic powder coating and wet coating processes are available in our dedusted coating plant.

QUALITY POLICY

Kocaeli Kaya Elektromekanik® adopted the quality policy which consisted of meeting customer's needs & requirements conscious of TQM, complying specifications and international standards for production, to satisfy supply and market chain involving customers, suppliers and team members. TSE and International IEC Standards are applied on each production stages. We also apply and follow ISO 9001:2008 Quality Management System and OHSAS 18001:2007 Occupational Health and Safety Management Systems.



1-) Basement 2-) Front Cover 3-) Covering Plate 4-) Assembling Plate 5-) Side Covers
6-) Top Cover 7-) Hangers 8-) Back Cover 9-) Main Chassis 10-) Fixing Rail

KOCAELI KAYA PANO



INDEX

KMP SERIES STANDING TYPE MODULAR ENCLOSURES.....	6
ACESSORIES FOR KMP SERIES ENCLOSURES.....	7 - 12
KMP SERIES STANDING TYPE MODULAR METERING ENCLOSURES.....	13
KMP SERIES MODULAR CAPACITOR BANK ENCLOSURES.....	14
KDP SERIES WALL TYPE ENCLOSURES.....	15
KDP SERIES SURFACE TYPE DISTRIBUTION ENCLOSURES.....	16
KDP SERIES FLUSH TYPE DISTRIBUTION ENCLOSURES.....	16
KHP SERIES OUTDOOR TYPE ENCLOSURES.....	17
KKL SERIES CONNECTION BOXES	18
KKP SERIES CONSOLE ENCLOSURES.....	19
KPP SERIES PIANO TYPE ENCLOSURES.....	19
OEM PRODUCTS.....	20 - 22
OUR REFERENCES.....	23



KMP SERIES STANDING TYPE MODULAR ENCLOSURES

Technical Specifications:

Finishing	: RAL 7035 Powder Coating
Enclosure	: 1,5mm Pickled Steel
Front Cover	: 2 mm Pickled Steel
IP Protection	: Up to IP 55



Reference No	Product	Width (mm)	Height (mm)	Depth (mm)		
101.5184.DK	Without Assembling Plate and Side Covers	500	1800	400		
101.5185.DK				500		
101.5186.DK				600		
101.5188.DK				800		
101.5204.DK			2000	400		
101.5205.DK				500		
101.5206.DK				600		
101.5208.DK				800		
101.6164.DK	Without Assembling Plate and Side Covers	600	1600	400		
101.6165.DK				500		
101.6166.DK				600		
101.6184.DK				400		
101.6185.DK			1800	500		
101.6186.DK				600		
101.6188.DK				800		
101.6204.DK				2000	400	
101.6205.DK			500			
101.6206.DK			600			
101.6208.DK			800			
101.8164.DK			Without Assembling Plate and Side Covers	800	1600	400
101.8165.DK						500
101.8166.DK						600
101.8184.DK						400
101.8185.DK					1800	500
101.8186.DK	600					
101.8188.DK	800					
101.8204.DK	2000	400				
101.8205.DK		500				
101.8206.DK		600				
101.8208.DK		800				
101.10184.DK	Without Assembling Plate and Side Covers	1000			1800	400
101.10185.DK						500
101.10186.DK						600
101.10188.DK						800
101.10204.DK					2000	400
101.10205.DK			500			
101.10206.DK			600			
101.10208.DK			800			
101.12184.DK	Without Assembling Plate and Side Covers	1200	1800	400		
101.12185.DK				500		
101.12186.DK				600		
101.12188.DK				800		
101.12204.DK			2000	400		
101.12205.DK				500		
101.12206.DK				600		
101.12208.DK				800		

*100mm Plinth Base is not included in dimension.

*G=1000-1200mm encloser's doors are double parts.

Standard product has: 1 unit body, 1 unit/set flat door, H:100mm plinth base, 1 pc flat top cover, 1 unit back cover, 2-4 pcs hangers, 1 unit earthing wire, 1 set bottom cover & fixing bolts.

ACCESSORIES FOR KMP SERIES ENCLOSURES

FRONT COVER MODELS



Reference No	Product	Width (mm)	Height (mm)
102.518**	FRONT COVER MODELS	500	1800
102.520**		500	2000
102.616**		600	1600
102.618**		600	1800
102.620**		600	2000
102.816**		800	1600
102.818**		800	1800
102.820**		800	2000
102.1018**		1000	1800
102.1020**		1000	2000
102.1218**		1200	1800
102.1220**		1200	2000

(**) FRONT COVER MODELS

FLAT DOOR	DK
GLASS DOOR	CK
LOUVERED DOOR	PK
FILTERED DOOR	FK

Standard product has: 1 pc cover, hinge fixing and bolts.

** Please place the front Cover Model such "DK", "CK", "PK" or "FK".

1 PAIR SIDE COVER



Reference No	Product	Height (mm)	Depth (mm)
103.164	1 PAIR SIDE COVERS	1600	400
103.165		1600	500
103.166		1600	600
103.184		1800	400
103.185		1800	500
103.186		1800	600
103.188		1800	800
103.204		2000	400
103.205		2000	500
103.206		2000	600
103.208		2000	800

Standard product has: 1 pair side covers and fixing bolts.



Reference No	Product	Width (mm)
104.500	PROJECT CASE	500
104.800		800

Standard product has: 1 unit metal project case and fixing bolts.

MONO BLOCK ASSEMBLING PLATE



Reference No	Product	Width (mm)	Height (mm)
105.518	MONO BLOCK ASSEMBLING PLATE	500	1800
105.520		500	2000
105.616		600	1600
105.618		600	1800
105.620		600	2000
105.816		800	1600
105.818		800	1800
105.820		800	2000
105.1018		1000	1800
105.1020		1000	2000
105.1218		1200	1800
105.1220		1200	2000

**2 mm galvanised

Standard product has: 1 pcs full size assembling plate, 6 pcs fixing parts and bolts.(6 pcs fixing rails are optional)

ASSEMBLING PLATE FIXING PART



Reference No	Product
114.100	ASSEMBLING PLATE FIXING PART (6' PCS)

KMP SERIES ASSEMBLING PLATE FIXING RAIL (OPTIONAL)



Reference No	Product	Depth (mm)
115.240	ASSEMBLING PLATE FIXING PART (2' PCS)	400
115.250		500
115.260		600
115.280		800
115.640	ASSEMBLING PLATE FIXING PART (6' PCS)	400
115.650		500
115.660		600
115.680		800

KMP SERIES ASSEMBLING PLATE CONNECTION PART



Reference No	Product	Height (mm)
107.160	ASSEMBLING PLATE CONNECTION PART	1600
107.180		1800
107.200		2000

Standard product has: 1 unit assembling plate connection part and its fixing bolts.

ASSEMBLING BASE ADJUSTING PARTS



Reference No	Product	Width (mm)	Height (mm)
108.209	ASSEMBLING BASE ADJUSTING PARTS	200	90
108.210		200	105
108.314		300	140
108.421		400	210

*The Depth is adjustable



SPLIT CASE ASSEMBLING PLATE



Standard product has: 1 unit split case assembling plate and fixing bolts. (The assembling plate fixing rail is optionally offered.)

Reference No	Product	Width (mm)	Height (mm)
106.505	SPLIT CASE ASSEMBLING PLATE	500	50
106.510		500	100
106.515		500	150
106.520		500	200
106.540		500	400
106.550		500	500
106.605		600	50
106.610		600	100
106.615		600	150
106.620		600	200
106.640		600	400
106.650		600	500
106.805		800	50
106.810		800	100
106.815		800	150
106.820		800	200
106.840		800	400
106.850		800	500
106.1005		1000	50
106.1015		1000	150
106.1020	1000	200	
106.1040	1000	400	

* 1,5 mm galvanised steel

KMP SERIES CAPACITOR PROFILE



Reference No	Product	Width (mm)
116.500	CAPACITOR PROFILE	500
116.600		600
116.800		800

Standard product has: 1 unit profile for capacitor fixing and bolts.

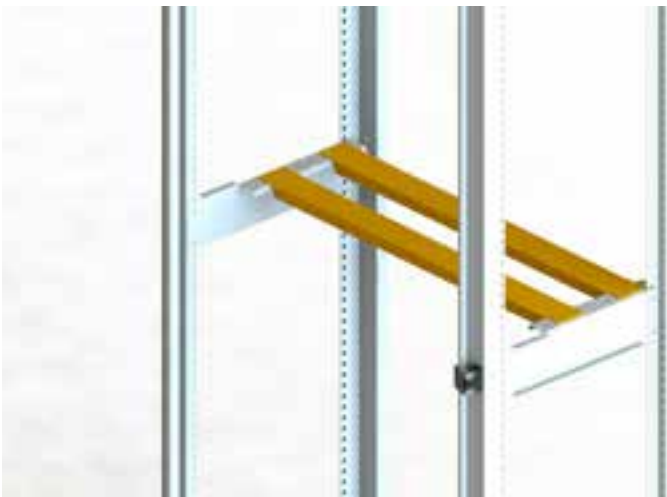
KMP SERIES BUS BAR TRAVERS



Reference No	Product	Depth (mm)	D (Travers) (mm)
118.520	BUS BAR TRAVERS	500	200
118.620		600	200
118.820		800	200

Standard product has: 1 unit bus bar travers and fixing bolts.

KMP - HEAVY BREAKER TRAVERS



Reference No	Product	Width (mm)	Depth (mm)
117.550	HEAVY BREAKER TRAVERS	500	500
117.560		500	600
117.580		500	800
117.650		600	500
117.660		600	600
117.680		600	800
117.850		800	500
117.860		800	600
117.880		800	800

Standard product has : 1 set heavy breaker fixing travers and bolts.

COVERING PLATE FRAME



Reference No	Product	Width (mm)	Height (mm)
109.518	COVERING PLATE FRAME	500	1800
109.520		500	2000
109.616		600	1600
109.618		600	1800
109.620		600	2000
109.816		800	1600
109.818		800	1800
109.820		800	2000

Standard product has : 1 set covering plate frame and its fixing bolts.

SPLIT CASE COVER PLATE



Reference No	Product	Width (mm)	Height (mm)
110.515	SPLIT CASE COVER PLATE	500	150
10.520		500	200
110.525		500	250
110.530		500	300
110.535		500	350
110.540		500	400
110.545		500	450
110.550		500	500
110.615		600	150
110.620		600	200
110.625		600	250
110.630		600	300
110.635		600	350
110.640		600	400
110.645		600	450
110.650		600	500
110.815		800	150
110.820		800	200
110.825		800	250
110.830		800	300
110.835	800	350	
110.840	800	400	
110.845	800	450	
110.850	800	500	

Standard product has : 1 unit split case cover plate and its fixing bolts.

MCB COVER PLATE



Reference No	Product	Width (mm)	Height (mm)
111.515	MCB PLATE	500	150
111.615		600	150
111.815		800	150

Standard product has : 1 pc splitted cover plate for Mcb and its fixing bolt.

FAN MODULE FOR KMP SERIES



Reference No	Product
119.100	FAN MODULE (INCLUDING FAN)

SPLIT TYPE COVER FOR BOTTOM SHEET



Reference No	Product	Width (mm)	Depth (mm)
112.540**	SPLIT TYPE COVER FOR BOTTOM SHEET	500	400
112.550**		500	500
112.560**		500	600
112.580**		500	800
112.640**		600	400
112.650**		600	500
112.660**		600	600
112.680**		600	800
112.840**		800	400
112.850**		800	500
112.860**		800	600
112.880**		800	800
112.1040**		1000	400
112.1050**		1000	500
112.1060**		1000	600
112.1080**		1000	800
112.1240**		1200	400
112.1250**		1200	500
112.1260**		1200	600
112.1280**	1200	800	

*The bottom sheet is combined with 3 parts

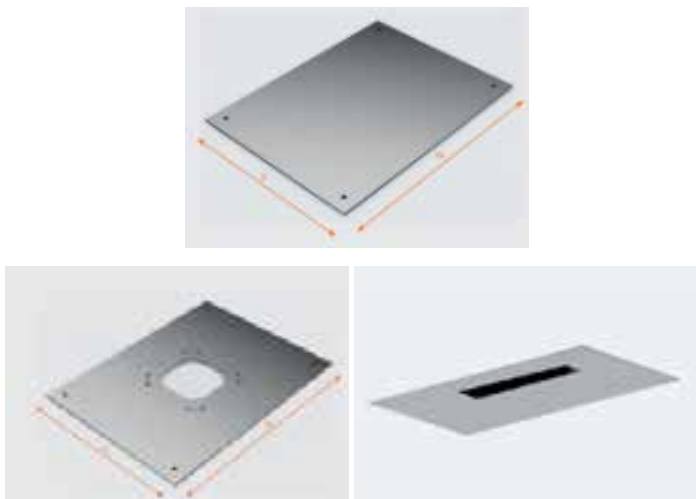
Standard product has : 1 set split case bottom sheet and its fixing bolts.

** Please place bottom sheet model type such "DPS", "FS" or "BS".

**BOTTOM SHEET MODELS

FLAT BOTTOM COVER (3 PCS)	DPS
BRUSHED SHEET	FS
EMPTY (W/O COVER)	BS

TOP COVER PANEL



Reference No	Product	Width (mm)	Depth (mm)
113.540**	TOP COVER PANEL	500	400
113.550**		500	500
113.560**		500	600
113.580**		500	800
113.640**		600	400
113.650**		600	500
113.660**		600	600
113.680**		600	800
113.840**		800	400
113.850**		800	500
113.860**		800	600
113.880**		800	800
113.1040**		1000	400
113.1050**		1000	500
113.1060**		1000	600
113.1080**		1000	800
113.1240**		1200	400
113.1250**		1200	500
113.1260**		1200	600
113.1280**	1200	800	

Standard product has : 1 unit top cover panel and its fixing bolts.

** Please place top cover model type such DS, FS or FG

**TOP COVER MODELS

FLAT SHEET	DS
BRUSHED SHEET	FS
FAN SLOT	FG



1 PHASE METERING ENCLOSURE



Reference No	Product	Width (mm)	Height (mm)	Depth (mm)
201.524	FOR 8 METERS	500	2000	400
201.624	FOR 12 METERS	600	2000	400
201.824	FOR 16 METERS	800	2000	400

*100mm Plinth base is not included in dimension.

TECHNICAL SPECIFICATIONS:

Finishing	: RAL 7035 Powder Coating
Enclosure	: 1,5 mm Pickled Steel
Front Door	: 2 mm Pickled Steel
Assembling Plate	: 2 mm Galvanised Steel
Cover Plate	: 1 mm Pickled Steel
IP Protection	: Up to IP 55

3 PHASES METERING ENCLOSURES



Reference No	Product	Width (mm)	Height (mm)	Depth (mm)
202.524	FOR 6 METERS	500	2000	400
202.824	FOR 9 METERS	800	2000	400
202.924	FOR 12 METERS	900	2000	400

*100mm Plinth base is not included in dimension.

TECHNICAL SPECIFICATIONS:

Finishing	: RAL 7035 Powder Coating
Enclosure	: 1,5 mm Pickled Steel
Front Door	: 2 mm Pickled Steel
Assembling Plate	: 2 mm Galvanised Steel
Cover Plate	: 1 mm Pickled Steel
IP Protection	: Up to IP 55



MODULAR SYSTEM CAPACITOR BANK ENCLOSURES

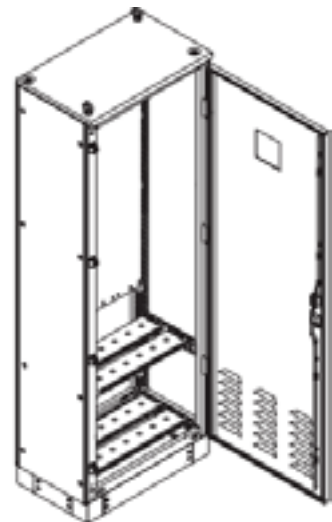
Reference No	Product	Width (mm)	Height (mm)	Depth (mm)
203.5184	CAPACITOR BANK ENCLOSURES 5-12 STEPS	500	1800	400
203.5185		500	1800	500
203.5186		500	1800	600
203.6184		600	1800	400
203.6185		600	1800	500
203.6186		600	1800	600
203.8184		800	1800	400
203.8185		800	1800	500
203.8186		800	1800	600
203.5204		500	2000	400
203.5205		500	2000	500
203.5206		500	2000	600
203.6204		600	2000	400
203.6205		600	2000	500
203.6206		600	2000	600
203.8204		800	2000	400
203.8205		800	2000	500
203.8206		800	2000	600

*100mm Plinth base is not included in dimension.

Standard product has: Two levels capacitor profiles are standard parts which are optionally used with bottom sheet cover or split case bottom sheet (6 pcs).

TECHNICAL SPECIFICATIONS:

Finishing	: RAL 7035 Powder Coating
Enclosure	: 1,5 mm Pickled Steel
Front Door	: 2 mm Pickled Steel
Assembling Plate	: 2 mm Galvanised Steel
IP Protection	: Up to IP 55





ECO SERIES WALL TYPE ENCLOSURES / WITH ASSEMBLING PLATE



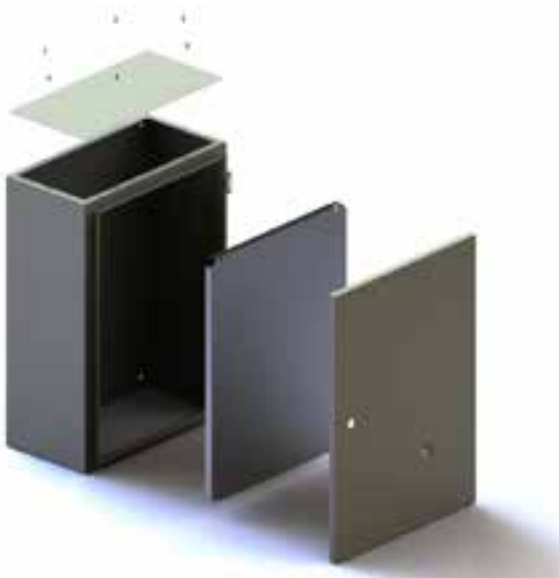
Reference No	Width (mm)	Height (mm)	Depth (mm)
301.332	300	300	200
301.342		400	200
301.352		500	200
301.362		600	200
301.442	400	400	200
301.452		500	200
301.462		600	200
301.463	500	600	300
301.562		600	200
301.572		700	200
301.573		700	300
301.582	600	800	200
301.672		700	200
301.673		700	300
301.682		800	200
301.683	800	800	300
301.882		800	200
301.883		800	300
301.8102		1000	200

Welded type enclosure

TECHNICAL SPECIFICATIONS:

Finishing	: RAL 7035 Powder Coating
Enclosure	: 1 mm Pickled Steel
Front Door	: 1 mm Pickled Steel
Assembling Plate	: 1 mm Galvanised Steel
IP Protection	: Up to IP 55

FLANGED WALL TYPE ENCLOSERS / WITH ASSEMBLING PLATE



Reference No	Width (mm)	Height (mm)	Depth (mm)
302.442	400	400	200
302.452		500	200
302.462		600	200
302.463		600	300
302.562	500	600	200
302.572		700	200
302.573		700	300
302.682	600	800	200
302.683		800	300
302.6103		1000	300
302.882		800	200
302.883	800	800	300
302.8102		1000	200
302.8103		1000	300
302.8104		1000	400
302.8123		1200	300
302.8143		1400	300
302.8144		1400	400
302.10103	1000	1000	300
302.10123		1200	300

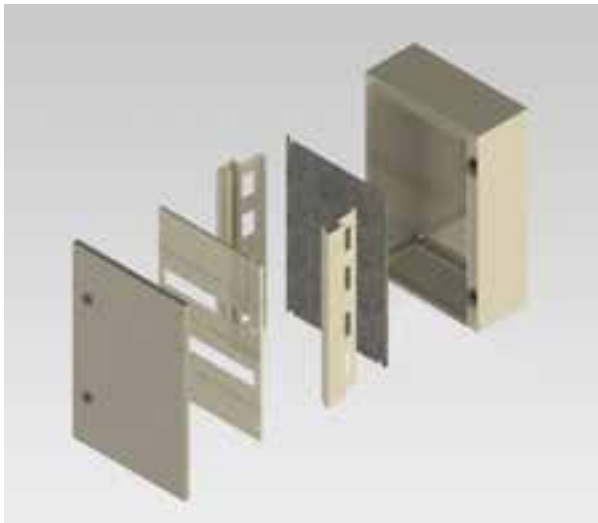
Flanged entry from top and bottom.

TECHNICAL SPECIFICATIONS:

Finishing	: RAL 7035 Powder Coating
Enclosure	: 1,5 mm Galvanised Steel
Front Door	: 1,5 mm Galvanised Steel
Assembling Plate	: 1,5 mm Galvanised Steel
IP Protection	: Up to IP 55

KDP SERIES DISTRIBUTION ENCLOSURES

WALL TYPE MCB DISTRIBUTION PANELS / SURFACE TYPE

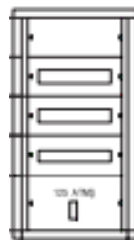


TECHNICAL SPECIFICATIONS:

Finishing	: RAL 7035 Powder Coating
Enclosure	: 1 mm Pickled Steel
Front Door	: 1 mm Pickled Steel
Assembling Plate	: 1 mm Pickled Steel
IP Protection	: Up to IP 55

Reference No	Product	Width (mm)	Height (mm)	Depth (mm)
401.332	11 PCS MCBs + CAM SWITCH SLOT	300	300	200
401.352	22 PCS MCBs + CAM SWITCH SLOT	300	500	200
401.362	33 PCS MCBs + CAM SWITCH SLOT	300	600	200
401.462	45 PCS MCBs + CAM SWITCH SLOT	400	600	200
401.582	60 MCBs +MCCB+CONN. TERM.	500	800	200
401.882	90 MCBs +MCCB+CONN. TERM.	800	800	200
401.8102	120 MCBs +MCCB+CONN. TERM.	800	1000	200

KDP SERIES FLUSH TYPE DISTRIBUTION PANELS



TECHNICAL SPECIFICATIONS:

Finishing	: RAL 7035 Powder Coating
Enclosure	: 1 mm Pickled Steel
Front Door	: 1 mm Pickled Steel
Assembling Plate	: 1 mm Pickled Steel
IP Protection	: Up to IP 55

Reference No	Product	Width (mm)	Height (mm)	Depth (mm)
402.331	11 PCS MCBs + CAM SWITCH SLOT	300	300	140
402.351	22 PCS MCBs + CAM SWITCH SLOT	300	500	140
402.361	33 PCS MCBs + CAM SWITCH SLOT	300	600	140
402.461	45 PCS MCBs + CAM SWITCH SLOT	400	600	140
402.581	60 MCBs +MCCB+CONN. TERM.	500	800	170
402.881	90 MCBs +MCCB+CONN. TERM.	800	800	170
402.8101	120 MCBs +MCCB+CONN. TERM.	800	1000	170

KHP SERIES OUTDOOR TYPE ENCLOSURES

OUTDOOR, WALL TYPE ENCLOSURES (WITH ASSEMBLING PLATE)



Reference No	Width (mm)	Height (mm)	Depth (mm)
501.442	400	400	200
501.452		500	200
501.462		600	200
501.463	500	600	300
501.562		600	200
501.572		700	200
501.573	600	700	300
501.682		800	200
501.683		800	300
501.6103	800	1000	300
501.882		800	200
501.883		800	300
501.8102		1000	200
501.8103		1000	300
501.8104		1000	400
501.8123		1200	300
501.8143	1400	1400	300
501.8144		1400	400
501.10103	1000	1000	300
501.10123		1200	300

TECHNICAL SPECIFICATIONS:

Finishing	: RAL 7035 Powder Coating
Enclosure	: 1,5mm Galvanised Steel
Front Door	: 1,5mm Galvanised Steel
Assembling Plate	: 1,5mm Galvanised Steel
IP Protection	: Up to IP 66

*There is plate type entry from bottom. Top cover is not included in dimension.

Sealing type cover is available upon request

OUTDOOR STANDING TYPE ENCLOSURES (WITH ASSEMBLING PLATE)



Reference No	Width (mm)	Height (mm)	Depth (mm)
502.6164	600	1600	400
502.6166		1600	600
502.6196		1900	600
502.6198		1900	800
502.8164	800	1600	400
502.8166		1600	600
502.8168		1600	800
502.8196		1900	600
502.8198	1200	1900	800
502.12164		1600	400
502.12166		1600	600
502.12196		1900	600

100 mm plinth base and top cover are not included in dimension.

TECHNICAL SPECIFICATIONS:

Finishing	: RAL 7035 Powder Coating
Enclosure	: 1,5mm Galvanised Steel
Front Door	: 1,5mm Galvanised Steel
Assembling Plate	: 1,5mm Galvanised Steel
IP Protection	: Up to IP 66

CONNECTION BOXES WITH ASSEMBLING PLATE



Reference No	Width (mm)	Height (mm)	Depth (mm)
601.2212	200	200	120
601.3212	300	200	120
601.3312		300	120
601.4212	400	200	120
601.4312		300	120
601.4412	400	400	120
601.5212	500	200	120
601.5312		300	120
601.6212	600	200	120
601.6312		300	120
601.6420		400	200

Standard product has: 1 unit assembling plate and 4 pcs mounting brackets.

TECHNICAL SPECIFICATIONS:

Finishing	: RAL 7035 Powder Coating
Enclosure	: 1,2 mm Galvanised Steel
Front Door	: 1,2 mm Galvanised Steel
Assembling Plate	: 1 mm Galvanised Steel
IP Protection	: Up to IP 55



KKP SERIES CONSOLE TYPE ENCLOSURES

CONSOLE TYPE CONTROL PANEL (SINGLE ASSEMBLING PLATE)



TECHNICAL SPECIFICATIONS:

Finishing	: RAL 7035 Powder Coating
Enclosure	: 1,5 mm Galvanised Steel
Front Door	: 2 mm Galvanised Steel
Assembling Plate	: 2 mm Galvanised Steel
IP Protection	: Up to IP 55

Reference No	Width (mm)	Height (mm)	Depth (mm)
701.6114	600	1100	400
701.8114	800		400
701.10114	1000		400
701.12114	1200		400

100 mm plinth base is not included in dimension.

PIANO TYPE CONTROL PANELS (WITH DOUBLE ASSEMBLING PLATE)



TECHNICAL SPECIFICATIONS:

Finishing	: RAL 7035 Powder Coating
Enclosure	: 1,5 mm Galvanised Steel
Front Door	: 2 mm Galvanised Steel
Assembling Plate	: 2 mm Galvanised Steel
IP Protection	: Up to IP 55

Reference No	Width (mm)	Height (mm)	Depth (mm)
702.6124	600	1200	450
702.8124	800		450
702.10124	1000		450
702.12124	1200		450

100 mm plinth base is not included in dimension.

6-10 kVA Ups Cabinets



Battery Cabinets



Fire Cabinets



Rectifier Boxes



Induction Cabinets



Receiver Boxes





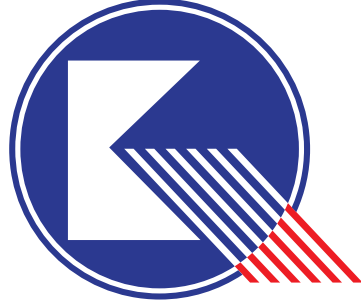
FAN CONTROL PANELS



OUTDOOR CAPACITOR BANK APPLICATIONS



FAST TRAIN PROJECT, SIGNALISATION PANELS



KOCAELİ KAYA

kys-enerji®

RACKSİS

KOCAELİ KAYA PANO

ersiba

**Kocaeli
KAYA
Sigorta**

KOYUŞ

GLOKAL

**KOCAELİ KAYA
FİLO KİRALAMA**

araba41.com

ibaysoft

KOCaeli KAYA PANO

Kocaeli Kaya Elektromekanik®

www.kayapano.com

satis@kayapano.com

Körfez Mah. Ankara Yolu Cad. Toyota Plaza Kocaeli Kaya C Blok No: 24 İzmit / KOCAELİ

0850 304 52 92 // 0262 321 0 123

"KAYAPANO, Kocaeli Kaya Elektromekanik® firmasının tescilli bir markasıdır."



Baskı Yeri: