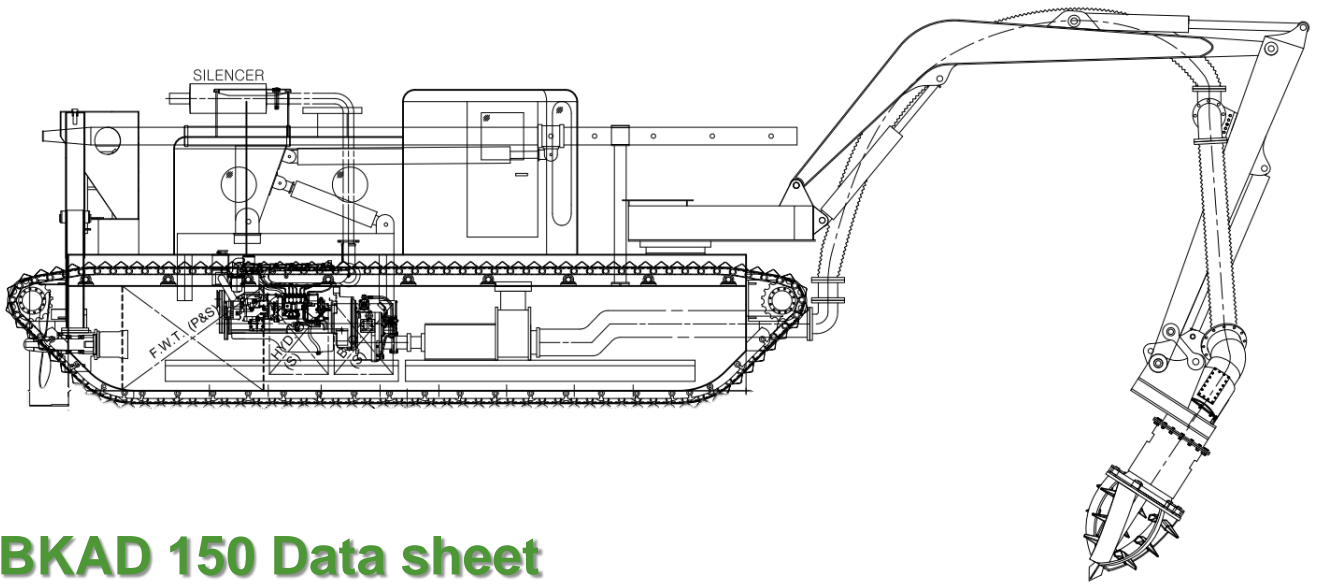


CITY CANAL DREDGER (BKAD 150)





BKAD 150 Data sheet

DIMENSION

Length O.A(Excl. Excavator)	6.5m
Length O.A(Incl. Excavator)	15m
Transport Width	2.6m
Breadth	6.6m
Draught	0.87m
Engine Installation Power	180hp

TANK CAPACITIES

F.O tank	292 Litre
F.W tank	45 Litre

DREDGING SYSTEM

Suction Dia.	150mm
Discharging Dia.	150mm
Mixture capacity	250m ³ /h
Dredging depth(Max.)	5m
Cutter type	Crown type
Installation type	Hydraulic

SPUDS

Length	6.4m
Installation type	Hydraulic

Amphibious function

Amphibious Dredger with self-propelled function, has higher mobility than competitors. On the river, City Canal Dredger can propel itself with the propeller in the stern and on the land, it can move itself with the track under the vessel.

Stable dredging construction

City Canal Dredger with 2 spuds in the stern offers stable performance on the river. Also, side pontoons attached to both side of the vessel offer more buoyancy which helps you work more stable.

Various attachments

For efficient work depending on the work-site, various attachments like bucket, wide bucket, rake, suction hood, clam-shell and hydraulic cutter can be attached.

Patents

1	Eco-friendly under water dredging machine and method	10-0922414
2	Eco-friendly Dredger	10-0937733
3	Eco-Friendly machine and method for soil separation	10-0939175
4	Amphibious Dredger	10-1013508
5	Multi-purpose Amphibious Dredger	10-1853391
6	Hydraulic Propulsion Device of Dredger	10-2041508



The best technology for dredging