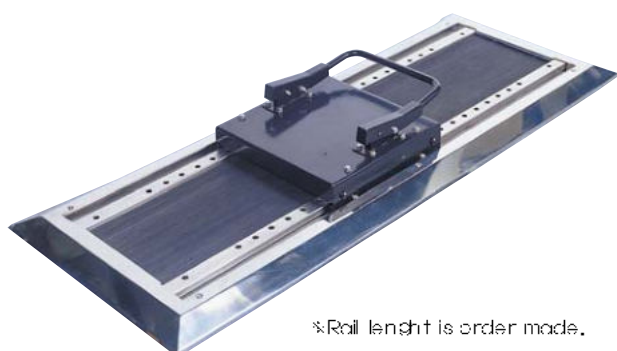




JG International

TEL : +82-70-7532-8338
 FAX : +82-51-322-5194
 E-mail : bizmarine@hanmail.net
 E-mail : bizmarine@yahoo.com
 http://www.junggun.com



*Rail length is order made.

	D.JPC 501A	D.JPC 601A
Seat height adjustment	●	●
Backseat inclination	●	●
Fore-and-aft adjustment	●	●
Leg height adjustment	●	●
Arm rack angle	●	●
Revolving	●	●
Headrest	●	●
Foot rest	●	●
Sliding track	●	X
Safety bell	●	●



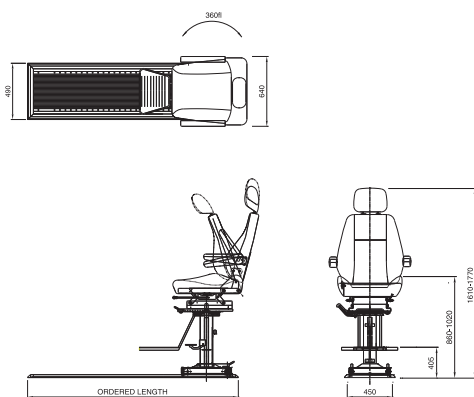
JG International

TEL : +82-70-7532-8338
FAX : +82-51-322-5194
E-mail : bizmarine@hanmail.net
E-mail : bizmarine@yahoo.com
http://www.junggun.com

SLIDING PILOT CHAIR (DJPC-501A)

DJPC-501A is specially designed to combine a pilot chair with console control

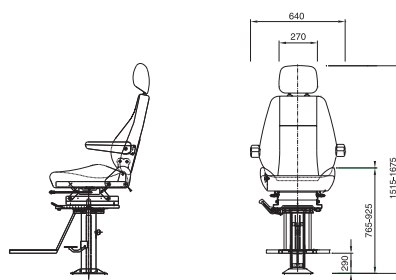
1. Seat height adjustment of 160mm, Shock absorber type
2. Angle - adjustable backrest and armrest are included
3. 360° revolving
4. Movable along sliding track within 1000mm
The length of track is adjustable to order
5. Easy installation and handling of a track
6. Angle-adjustable foot rest



PILOT CHAIR (DJPC-601A)

Commonly used pilot chair, including following features

1. Seat height adjustment of 160mm, Shock absorber type
2. Fore and aft adjustment of 60mm, in increment of 15mm
3. 360° revolving
4. Reclining backseat
5. Various upholstery colors are available
6. Height-adjustable headrest
7. Angle-adjustable arm rack
8. Angle-adjustable foot rest





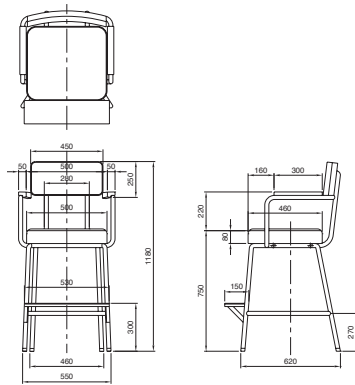
JG International

TEL : +82-70-7532-8338
FAX : +82-51-322-5194
E-mail : bizmarine@hanmail.net
E-mail : bizmarine@yahoo.com
http://www.junggun.com

PILOT CHAIR (DJPC-801)

DJPC-801 is specially designed to combine a pilot chair with console control

1. Constructed of steel pipes and finished by painting
2. Foot rest is made of AL check plate or wooden plate
3. Seat and back cover is leather or fabric Specified color should be in accordance with color scheme
4. Arm rests are finished with urethane fabric or leather
5. Legs are fixed with leg shoes



PILOT CHAIR (DJPC-702)

DJPC 702 is specially designed to combine a pilot chair with console control

1. Seat height adjustment of 160mm, Shock absorber type
2. Fore and aft adjustment of 60mm, in increment of 15mm
3. 360° revolving
4. Reclining backseat
5. Various upholstery colors are available
6. Height-adjustable headrest
7. Angle-adjustable arm rack
8. Angle-adjustable foot rest
9. 5 legs are fixed with leg shoes

